

PROJECTION 'P'	Dim A
3000mm	600mm
3250mm	856mm
3500mm	1111mm
3600mm	1213mm
3700mm	1315mm
3800mm	1417mm
3900mm	1518mm
4000mm	1620mm
4100mm	1721mm
4200mm	1822mm

FOUR SETS OF HORIZONTAL SUPPORTING STEELWORK TO BE PROVIDED BY OTHERS TO DIMENSIONS INDICATED DEPENDENT ON PROJECTION.

ADD 320KG LIVE LOAD AT CONNECTION POINTS BETWEEN RING AND BACKBOARD FOR LIVE LOAD

ADD 17kgs TO GROSS WEIGHT IF CLEAR ACRYLIC BOARDS ARE FITTED
GOALS ARE BLUE IN COLOUR (RAL5010) AS STANDARD.

TITLE MATCHPLAY BASKETBALL GOAL - TYPE UPWARD FOLDING
3m to 4.2m Projection

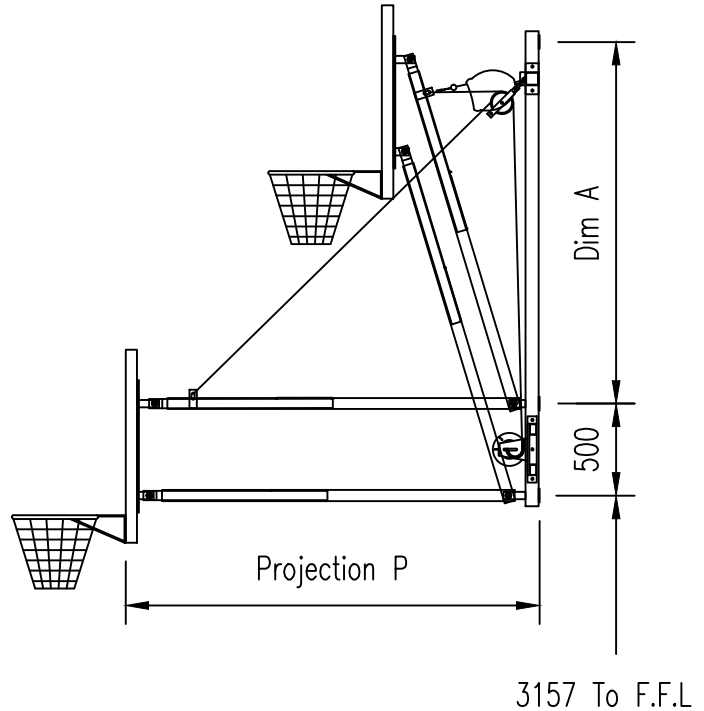
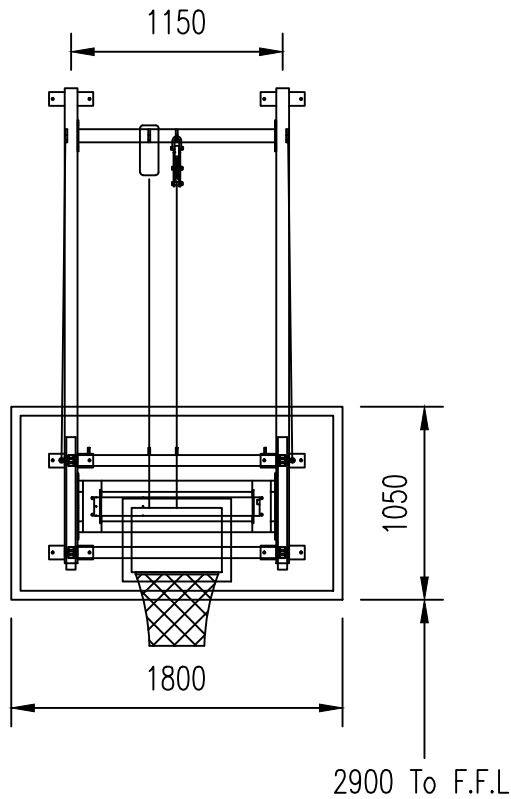
INFO SHEET No. 1074

DATE 21-4-15

ISSUE B

DRAWN KT

SCALE NTS



PROJECTION 'P'	Dim A
2750mm	2607mm
2500mm	2348mm
2250mm	2086mm
2000mm	1820mm
1750mm	1587mm
1500mm	1354mm

THREE SETS OF HORIZONTAL SUPPORTING STEELWORK TO BE PROVIDED BY OTHERS, TO DIMENSIONS INDICATED, DEPENDENT ON PROJECTION.

ADD 320KG LIVE LOAD AT CONNECTION POINTS BETWEEN RING AND BACKBOARD FOR LIVE LOAD

ADD 17kgs TO GROSS WEIGHT IF CLEAR ACRYLIC BOARDS ARE FITTED
GOALS ARE BLUE IN COLOUR (RAL5010) AS STANDARD.

TITLE MATCHPLAY BASKETBALL GOAL – TYPE UPWARD FOLDING
Projection under 3m

INFO SHEET No. 1075

DATE 21-4-15

ISSUE B

DRAWN KT

SCALE NTS



WIRING SPECIFICATION FOR ELECTRICALLY OPERATED BASKETBALL GOAL (Single)

TO BE PROVIDED BY THE CUSTOMER OR HIS CONTRACTOR

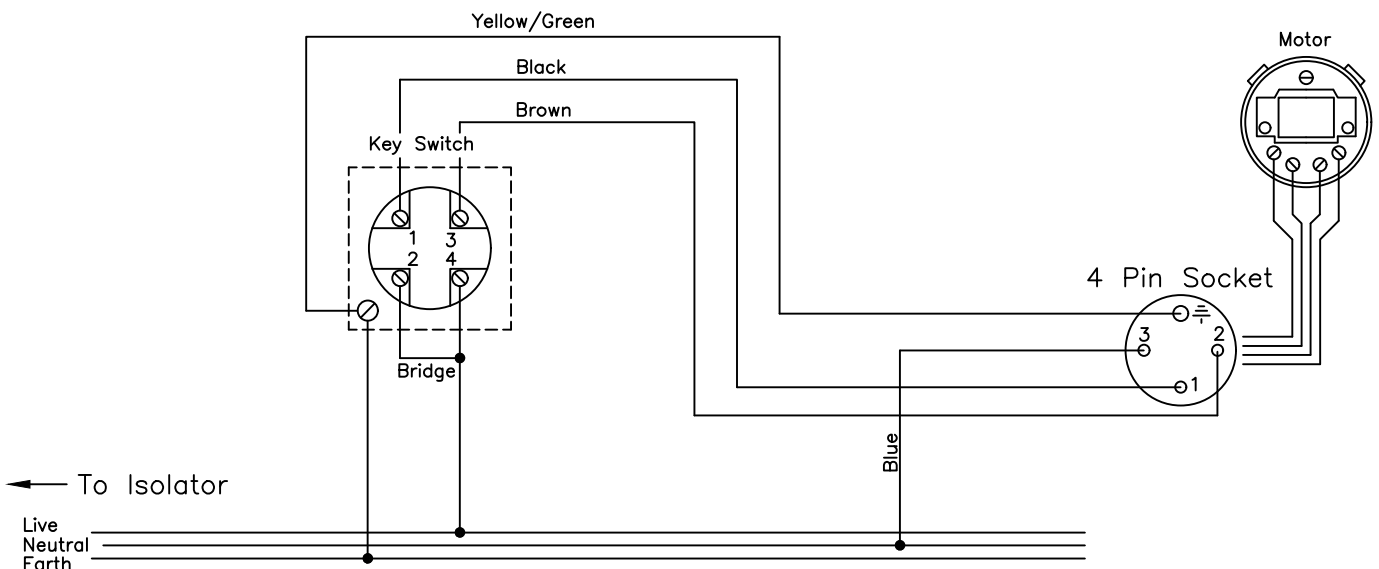
- a) A 230V power supply with a 5Amp fused isolating switch must be provided from the customers fuse board to a position adjacent to the control switch.
- b) A set of 4 wires (colour coded as per diagram) must be run in conduit from the isolator to the motor position via the control switch. At the motor position the wires must terminate in the 4 pin socket sited within 1.0m of the motor position.
- c) Motor specification:- 230v 50Hz Single Phase
0.45Kw – 2.1Amp
Speed = 12 Rpm

NOTES:-

The control switch and four pin socket will be provided by Universal Services prior to the electrical installation. All connections must be made by the customers electrical contractor in strict accordance with the wiring diagram shown below. The Motor will be provided and installed by Universal Services after completion of the electrical installation.

The installation should be carried out in accordance with current I.E.E. regulations.

The control switch must be located outside of the main hall but in such a position that it is within eyesight of the goal to oversee operation.



N.B This information sheet is for One Single Goal, see information sheet No. 1271 for a Two Goal installation

TITLE WIRING SPECIFICATION FOR ELECTRICALLY OPERATED BASKETBALL GOAL (Single)	INFO SHEET No. 1261
DATE 27.04.2015 ISSUE E	DRAWN PS SCALE N.T.S



WIRING SPECIFICATION FOR ELECTRICALLY OPERATED BASKETBALL GOALS (Pair)
TO BE PROVIDED BY THE CUSTOMER OR HIS CONTRACTOR

- a) A 230V power supply with a 5Amp fused isolating switch must be provided from the customers fuse board to a position adjacent to the control switches.
- b) A set of 4 wires (colour coded as per diagram) must be run in conduit from the isolator to each motor position via the control switch. At the motor positions the wires must terminate in the 4 pin socket sited within 1.0m of the motor positions.
- c) Motor specification:- 230v 50Hz Single Phase
0.45Kw – 2.1Amp
Speed = 12 Rpm

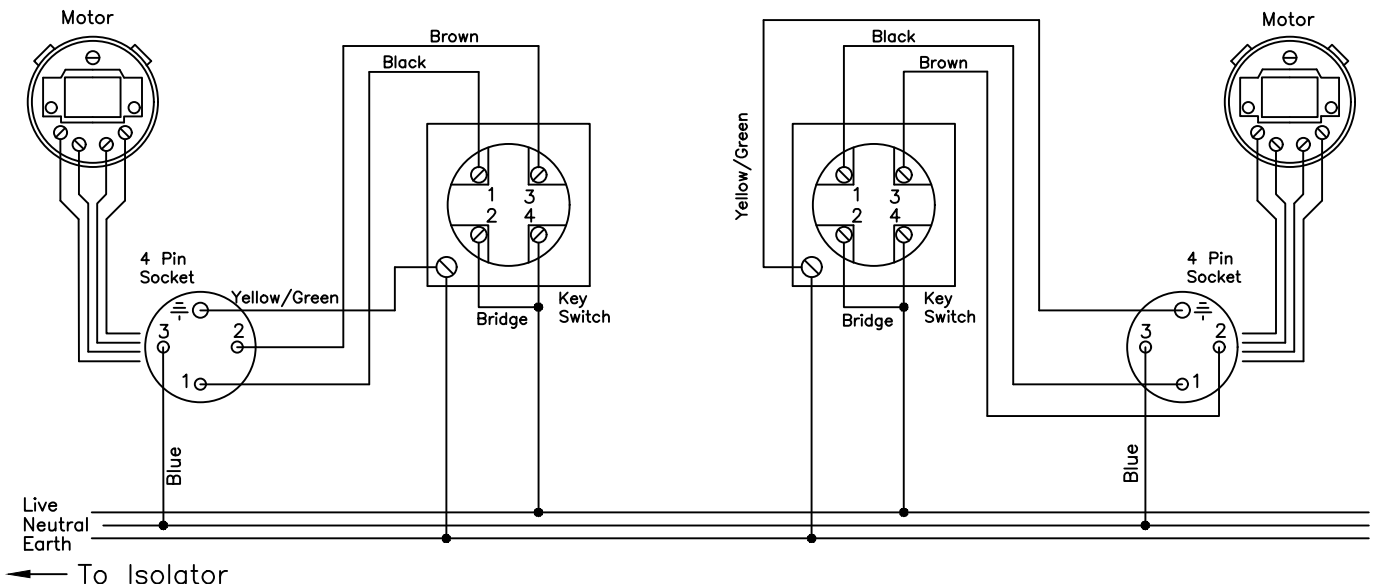
NOTES:-

The control switches and 4 pin sockets will be provided by Universal Services prior to the electrical installation. All connections must be made by the customers electrical contractor in strict accordance with the wiring diagram shown below. IT IS ESSENTIAL EACH MOTOR HAS IT'S OWN SET OF WIRES FROM THE SWITCHES. FAILURE TO COMPLY WILL DAMAGE THE MOTORS AND NULL THE WARRANTY.

The Motors will be provided and installed by Universal Services after completion of the electrical installation.

The installation should be carried out in accordance with current I.E.E. regulations.

The control switch must be located outside of the main hall but in such a position that it is within eyesight of the goals to oversee operation.



N.B This information sheet is for a Two Goal installation, see information sheet No. 1261 for a Single Goal installation

TITLE WIRING SPECIFICATION FOR ELECTRICALLY OPERATED BASKETBALL GOALS (Pair)

INFO SHEET No. 1271

DATE 27.04.2015 ISSUE F DRAWN PS SCALE N.T.S