

H = Height of skirting Can be varied to avoid pipes etc.
 NB. Distance shown between fillets applicable to 7ft long linking equipment only.

TITLE LINKING EQUIPMENT STORAGE BRACKETS

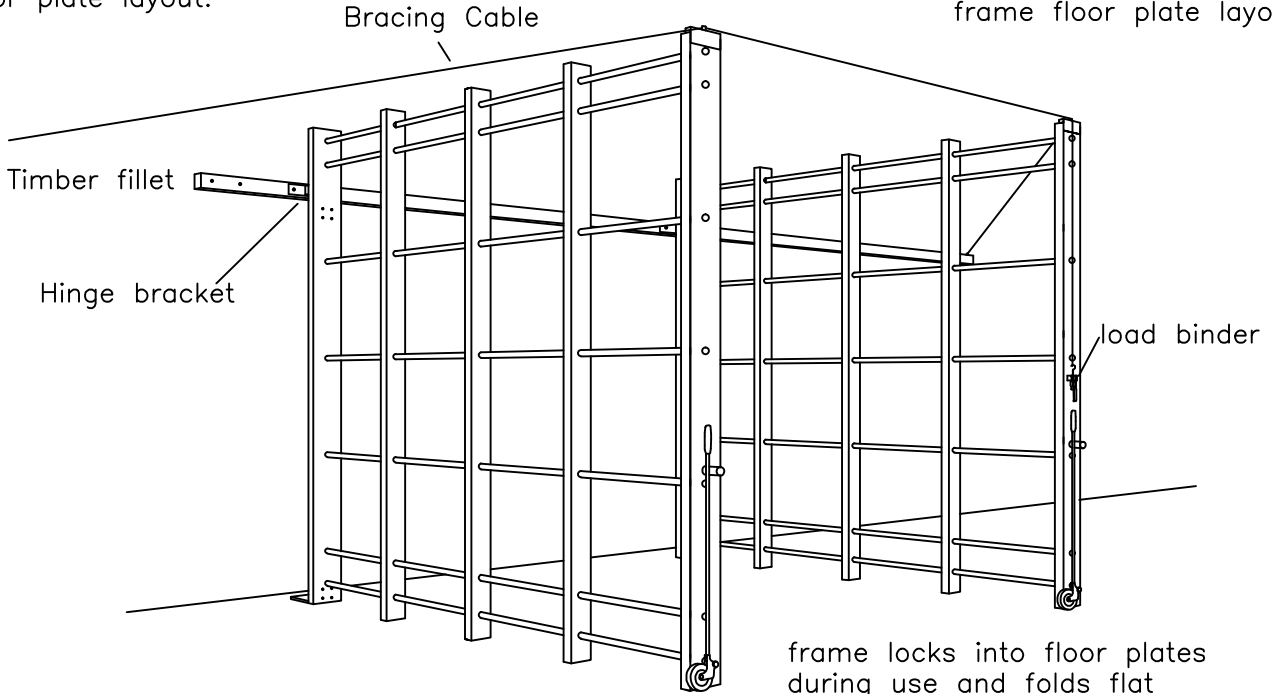
INFO SHEET No. 4412

DATE 02.04.24 ISSUE D DRAWN KT SCALE N.T.S



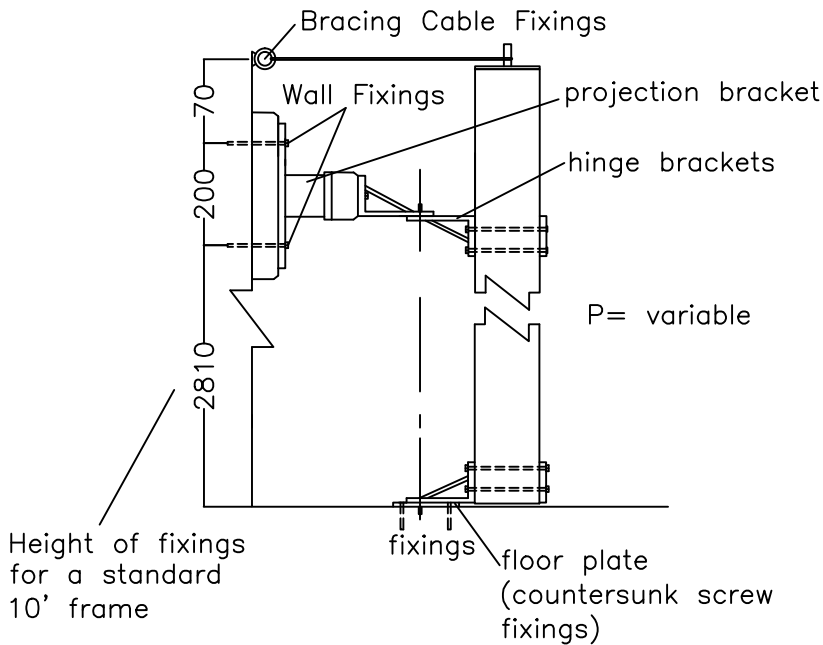
Note— see information sheets 6663, 6673 and 6683 for Super Nova frame floor plate layout.

Note— see information sheets 6633, 6643 and 6653 for Window Ladder frame floor plate layout.

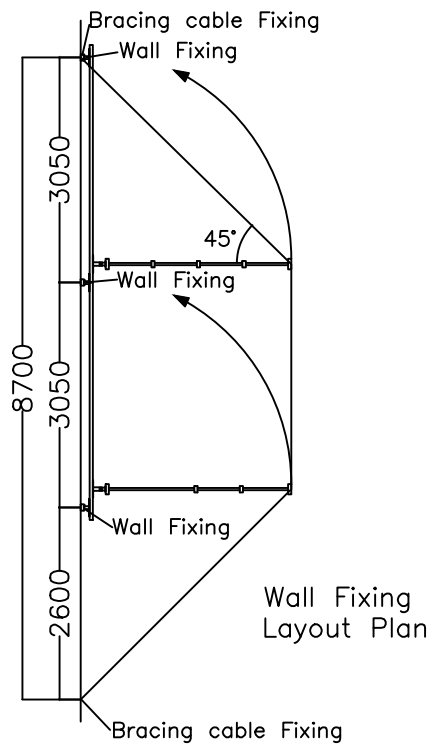


frame available in a choice of heights— 8', 10' or 12'.

frame locks into floor plates during use and folds flat against the wall for storage



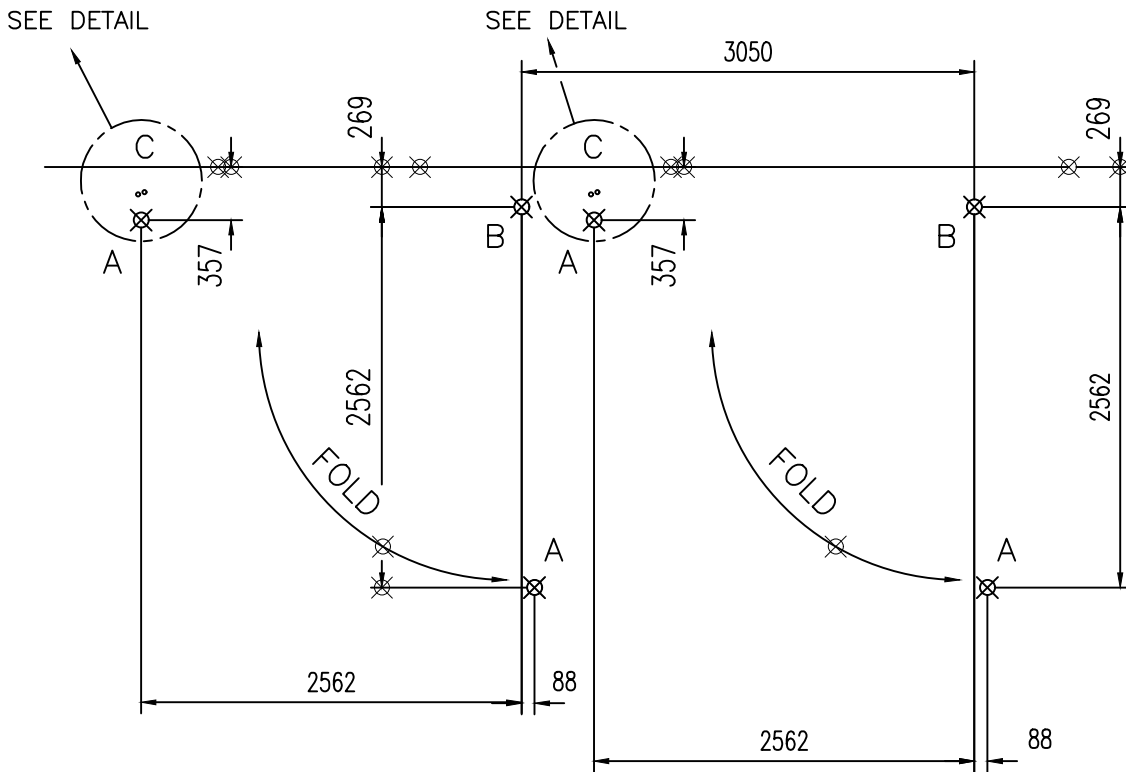
Height of fixings for a standard 10' frame



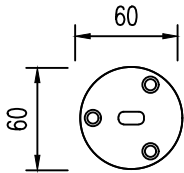
TITLE SUPER NOVA / WINDOW LADDER FRAME

INFO SHEET No. 4423

DATE 05.05.2015 ISSUE E DRAWN PS SCALE N.T.S

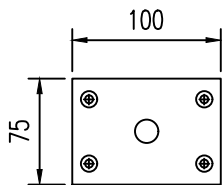


FLOOR PLATE TYPE 'A'



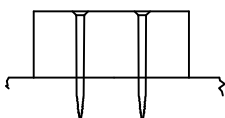
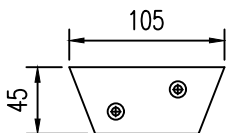
WOOD SCREWS
32mm - 50mm DEEP

FLOOR PLATE TYPE 'B'



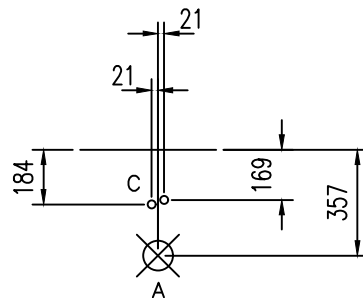
WOOD SCREWS 50mm DEEP

TIMBER STOP-BLOCK 'C'



WOOD SCREWS 50mm DEEP

STOP-BLOCK LOCATION DETAIL



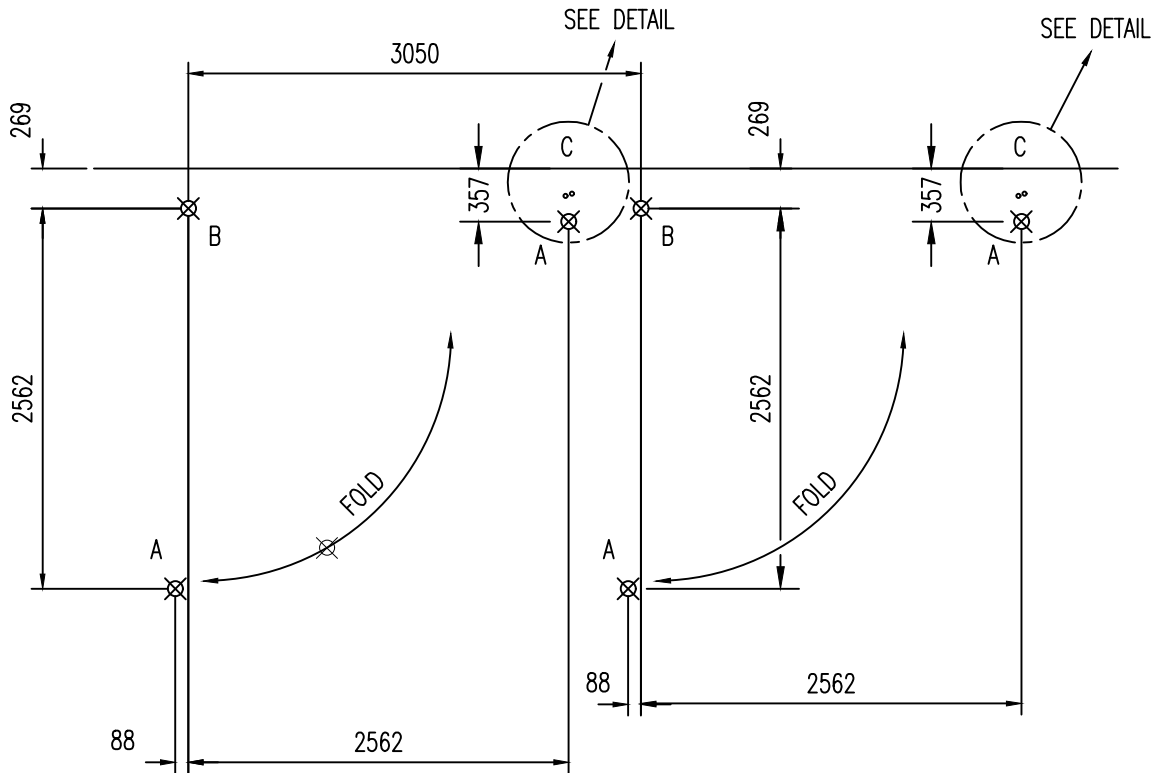
NOTES

- 1, ALL DIMENSIONS TO BE RELATIVE TO PLATE "B". DIMENSION FROM WALL TO PLATES "B" MAY VARY DUE TO OBSTRUCTIONS TO FRAMES (IE RADIATORS).
- 2, PLATE "B" AND BLOCK "C" ARE TO BE SURFACE MOUNTED WHEREAS PLATE "A" IS INLAID.
- 3, A 300mm x 300mm PAD TO BE LEFT CLEAR OF PIPES, BASED CENTRAL AROUND FLOOR PLATE TYPES "A", "B" AND "C".

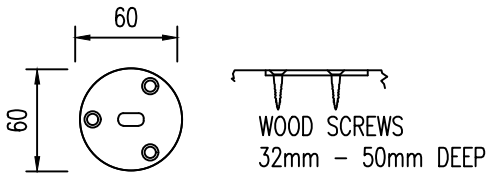
TITLE STANDARD FOLDING WINDOW LADDER FRAME STD FLOOR PLATE LAYOUT - FOLDING LEFT

INFO SHEET No. 6633

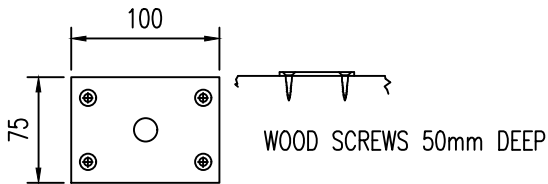
DATE 25.01.2019 ISSUE D DRAWN PS SCALE N.T.S



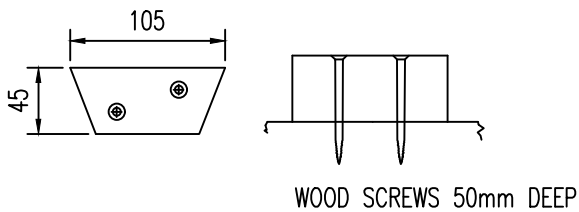
FLOOR PLATE TYPE 'A'



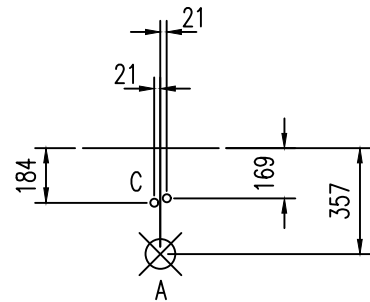
FLOOR PLATE TYPE 'B'



TIMBER STOP-BLOCK 'C'



STOP-BLOCK LOCATION DETAIL



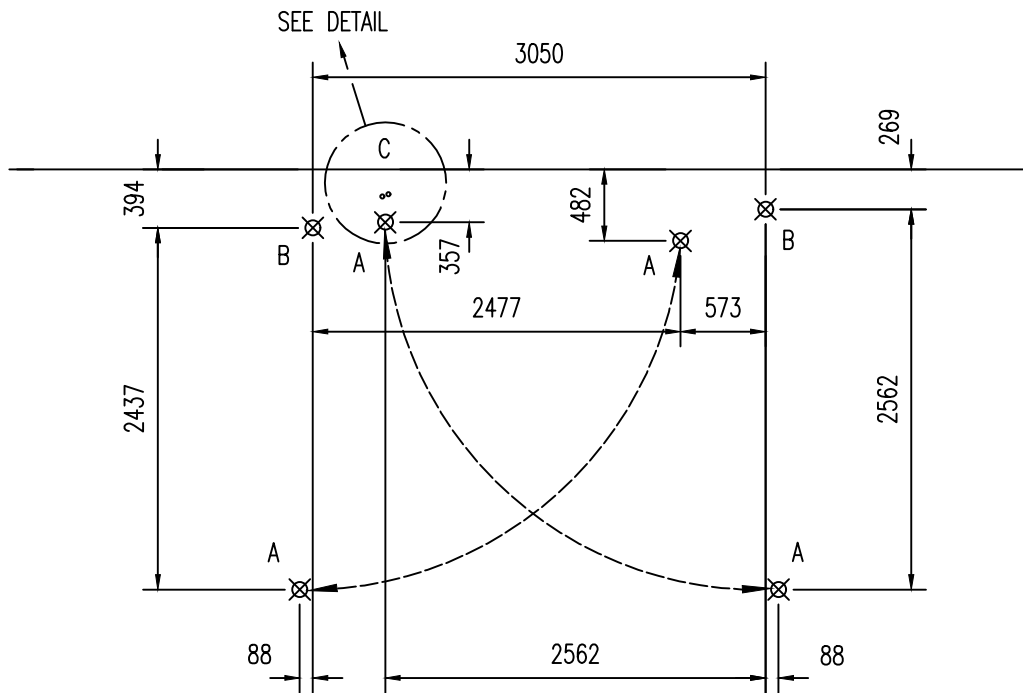
NOTES

- 1, ALL DIMENSIONS TO BE RELATIVE TO PLATE "B". DIMENSION FROM WALL TO PLATES "B" MAY VARY DUE TO OBSTRUCTIONS TO FRAMES (IE RADIATORS).
- 2, PLATE "B" AND BLOCK "C" ARE TO BE SURFACE MOUNTED WHEREAS PLATE "A" IS INLAID.
- 3, A 300mm x 300mm PAD TO BE LEFT CLEAR OF PIPES, BASED CENTRAL AROUND FLOOR PLATE TYPES "A", "B" AND "C".

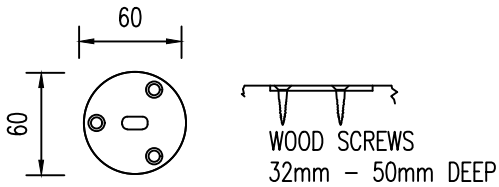
TITLE STANDARD FOLDING WINDOW LADDER FRAME STD FLOOR PLATE LAYOUT - FOLDING RIGHT

INFO SHEET No. 6643

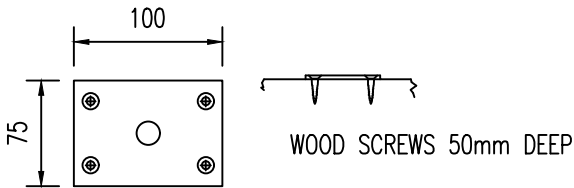
DATE 25.01.2019 ISSUE D DRAWN PS SCALE N.T.S.



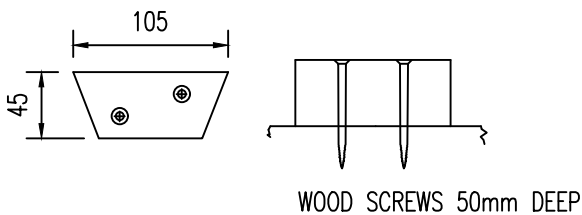
FLOOR PLATE TYPE 'A'



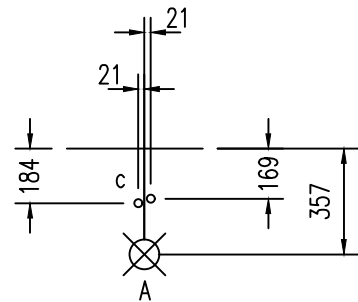
FLOOR PLATE TYPE 'B'



TIMBER STOP-BLOCK 'C'



STOP-BLOCK
LOCATION DETAIL



Notes

1. All dimensions to be relative to plate "B". dimension from wall to plates "B" may vary due to obstructions to frames (ie radiators).
2. Plate "B" and block "C" are to be surface mounted whereas plate "A" is inlaid.
3. A 300mm x 300mm pad to be left clear of pipes, based central around floor plate types "A", "B" and "C".

TITLE STANDARD WINDOW LADDER FRAME STD FLOOR PLATE
LAYOUT - FOLDING LEFT OVER RIGHT

INFO SHEET No. 6653

DATE 25.01.2019 ISSUE C DRAWN PS SCALE N.T.S