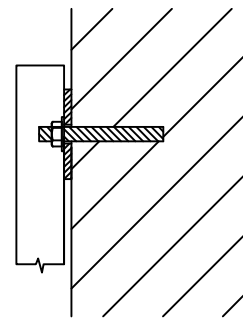


PROJ'N P	Dim A	G Weight
2000mm	1062mm	90kg
2250mm	1237mm	94kg
2500mm	1412mm	98kg
2750mm	1587mm	102kg
3000mm	1762mm	106kg
3250mm	1937mm	110kg
3500mm	2112mm	114kg

Enlarged detail showing standard fixing into concrete. Alternative fixing used if into steel.

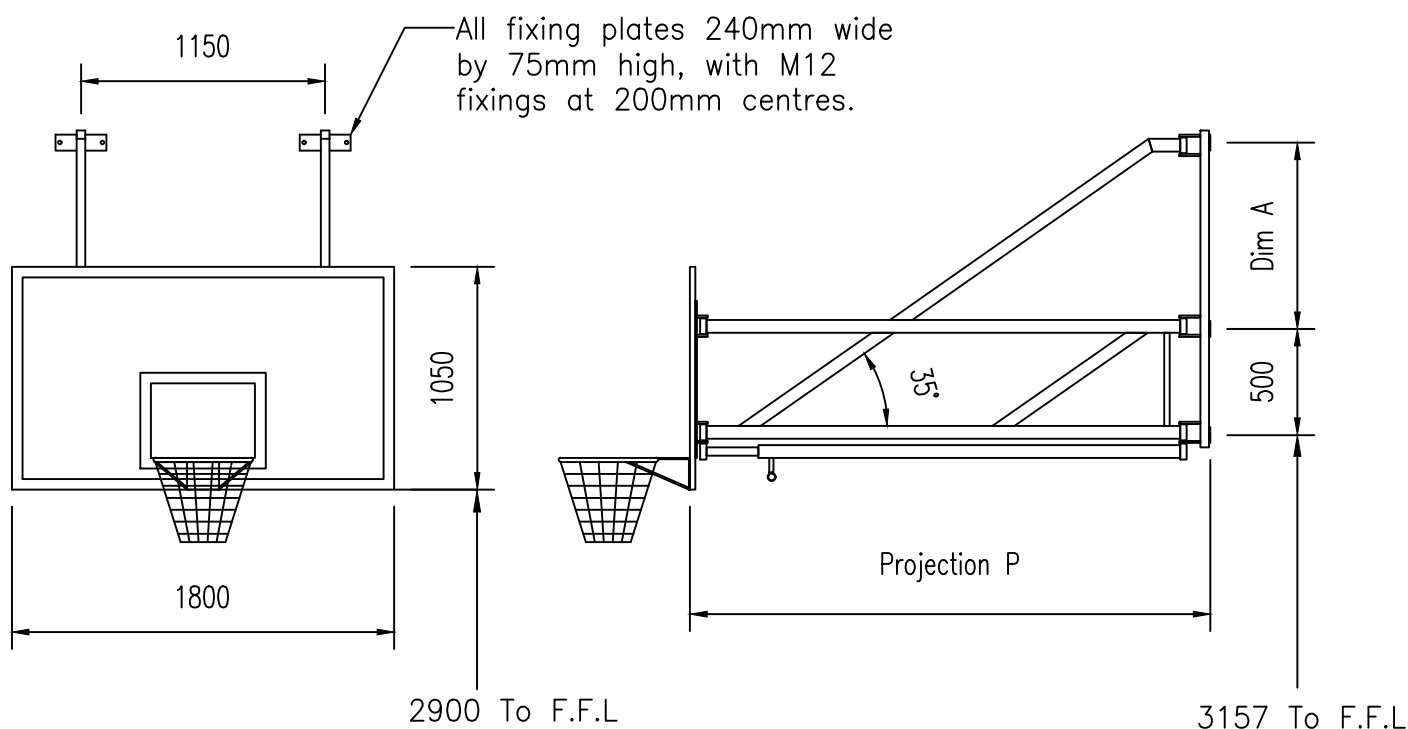


Add 320kg live load at connection points between ring and backboard
 Add 17kgs to gross weight if clear acrylic boards are fitted
 Goals are blue in colour (RAL5010) as standard.

TITLE MATCHPLAY BASKETBALL GOAL
 TYPE HWM 35A

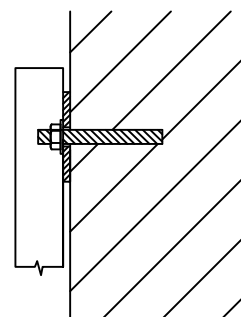
INFO SHEET No. 1181

DATE 11.7.22 ISSUE H DRAWN KT SCALE N.T.S.



PROJ'N P	Dim A	G Weight
3600mm	1682mm	131kg
3700mm	1752mm	133kg
3800mm	1822mm	135kg
3900mm	1892mm	137kg
4000mm	1962mm	139kg
4100mm	2032mm	141kg
4200mm	2102mm	143kg

Enlarged detail showing standard fixing into concrete. Alternative fixing used if into steel.



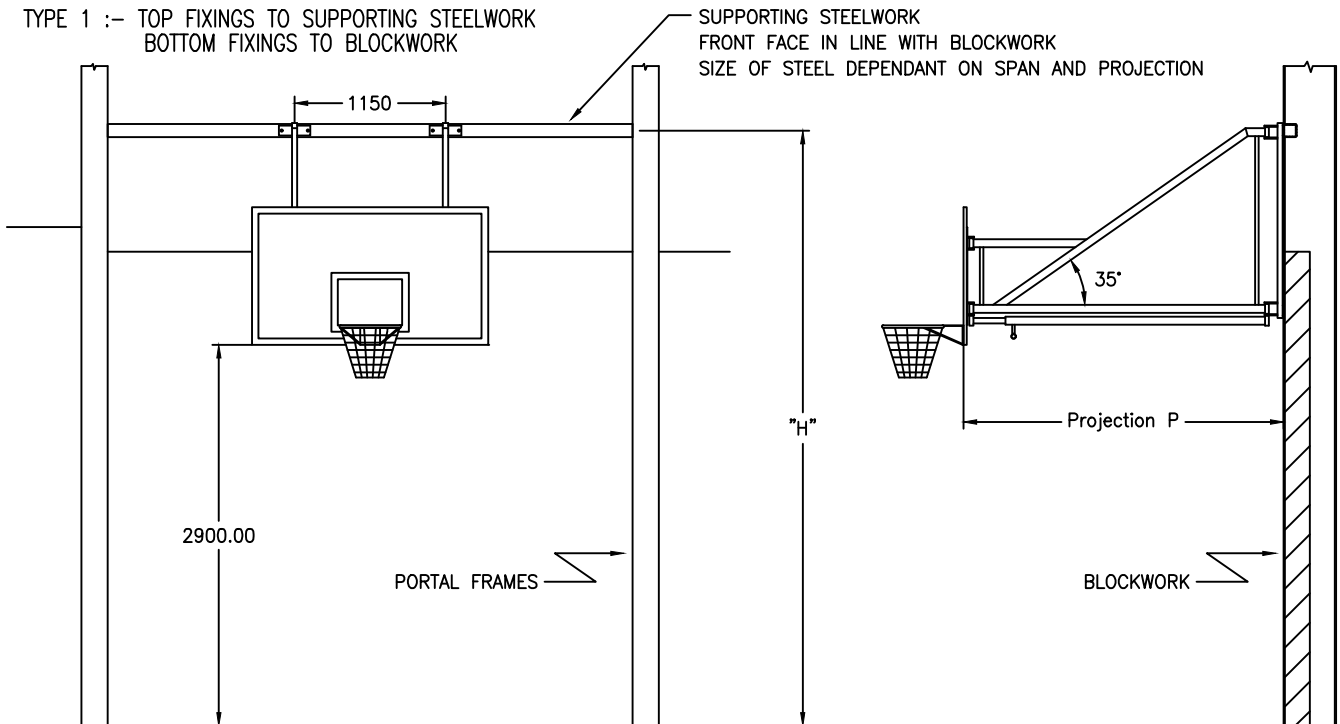
Add 320kg live load at connection points between ring and backboard
 Add 17kgs to gross weight if clear acrylic boards are fitted
 Goals are blue in colour (RAL5010) as standard.

TITLE MATCHPLAY BASKETBALL GOAL
 TYPE HWM 35B

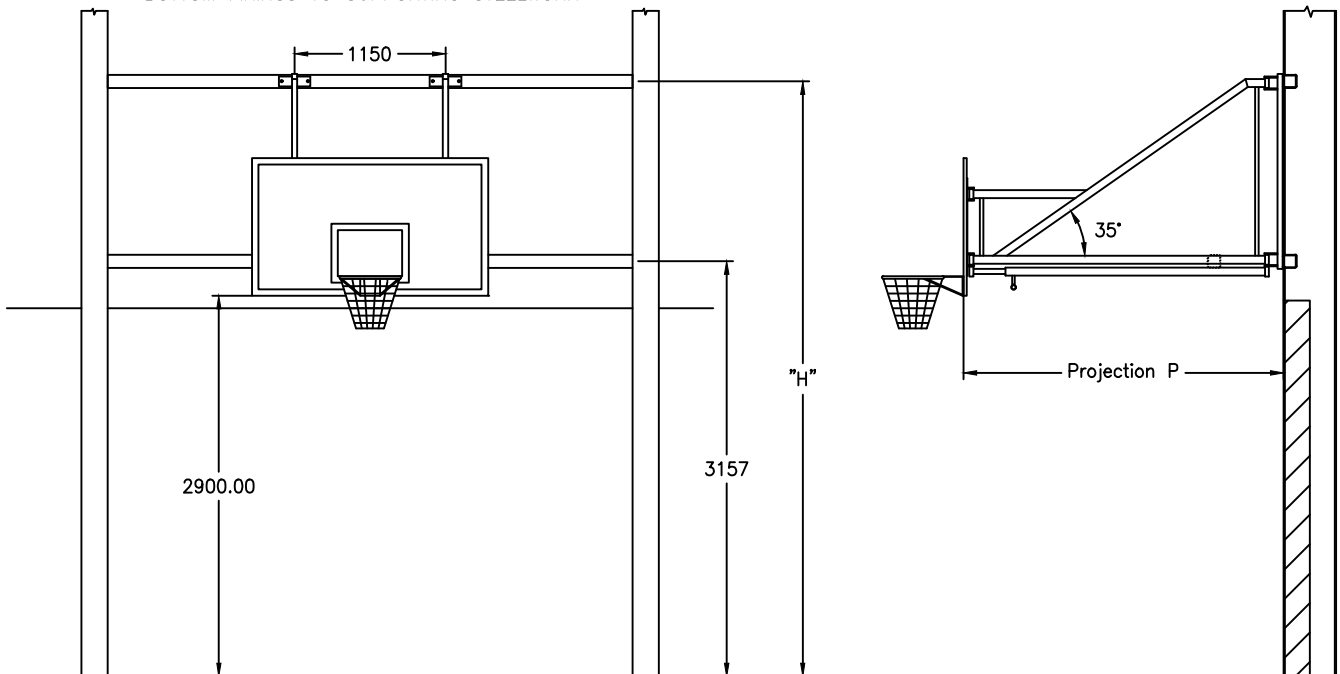
INFO SHEET No. 1191

DATE 11.7.22 ISSUE G DRAWN KT SCALE N.T.S.

TYPE 1 :- TOP FIXINGS TO SUPPORTING STEELWORK
BOTTOM FIXINGS TO BLOCKWORK



TYPE 2 :- TOP FIXINGS TO SUPPORTING STEELWORK
BOTTOM FIXINGS TO SUPPORTING STEELWORK



NB. THIS INFORMATION SHEET IS INTENDED AS A GUIDE ONLY
UNIVERSAL SERVICES SHOULD BE CONSULTED TO APPROVE
STEELWORK DRAWINGS PRIOR TO INSTALLATION
SEE ALSO INFORMATION SHEET No.1181

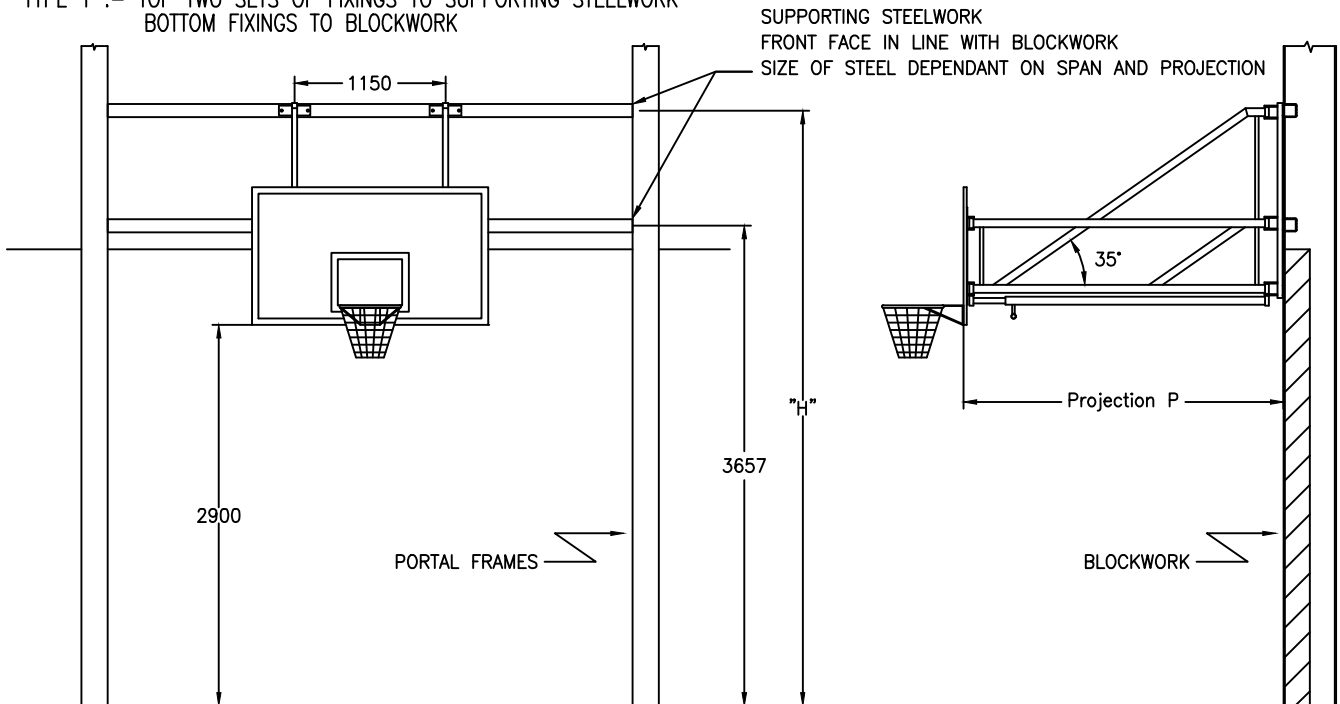
PROJECTION "P" = DISTANCE FROM WALL FACE TO BOARD FACE
"H" = DISTANCE FROM F.F.L TO CENTRE LINE OF SUPPORTING
STEELWORK.
 $"H" = 3182 + (0.7002 \times (P-519))$

TITLE GUIDE FOR SUPPORTING STEELWORK FOR
HINGED WALL MOUNTED BASKETBALL GOALS

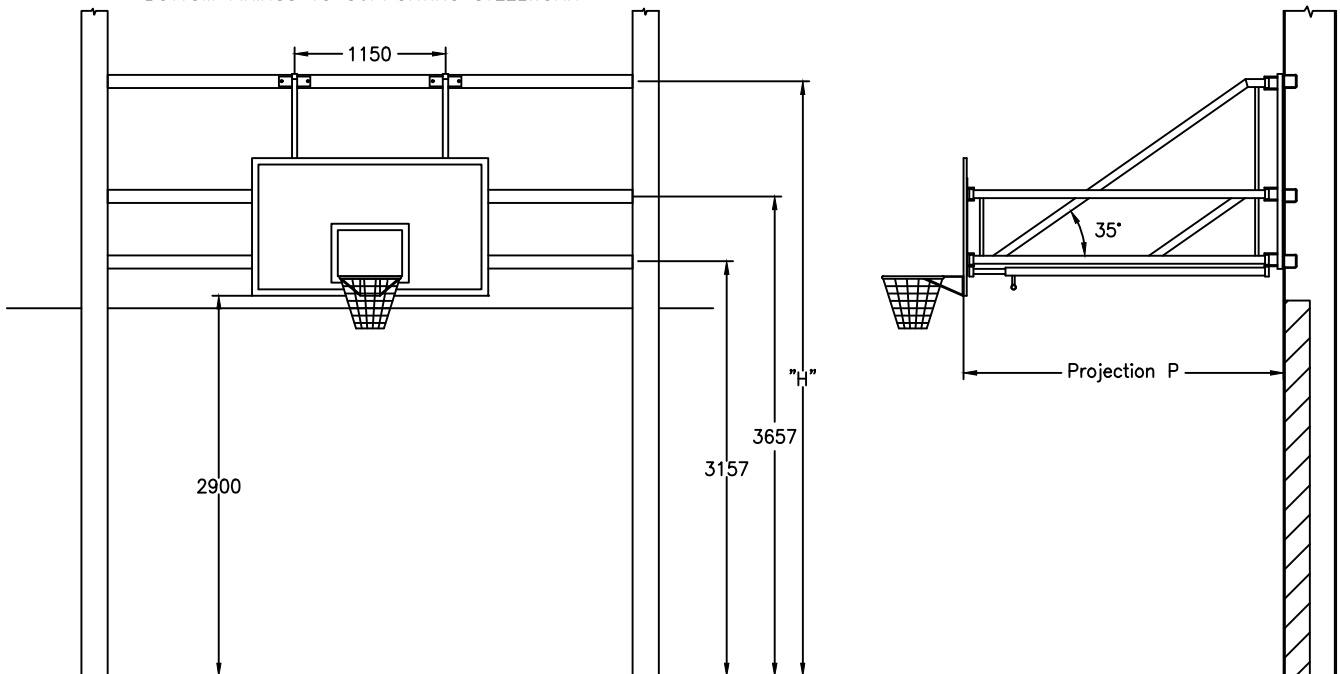
INFO SHEET No. 1241

DATE 27.04.2015 ISSUE C DRAWN PS SCALE N.T.S.

TYPE 1 :- TOP TWO SETS OF FIXINGS TO SUPPORTING STEELWORK
BOTTOM FIXINGS TO BLOCKWORK



TYPE 2 :- TOP FIXINGS TO SUPPORTING STEELWORK
BOTTOM FIXINGS TO SUPPORTING STEELWORK



NB. THIS INFORMATION SHEET IS INTENDED AS A GUIDE ONLY
UNIVERSAL SERVICES SHOULD BE CONSULTED TO APPROVE
STEELWORK DRAWINGS PRIOR TO INSTALLATION
SEE ALSO INFORMATION SHEET No.1191

PROJECTION "P" = DISTANCE FROM WALL FACE TO BOARD FACE
"H" = DISTANCE FROM F.F.L TO CENTRE LINE OF SUPPORTING
STEELWORK.
 $"H" = 3182 + (0.7002 \times (P-519))$

TITLE GUIDE FOR SUPPORTING STEELWORK FOR 35B
HINGED WALL MOUNTED BASKETBALL GOALS

INFO SHEET No. 1251

DATE 27.04.2015 ISSUE B DRAWN PS SCALE N.T.S.