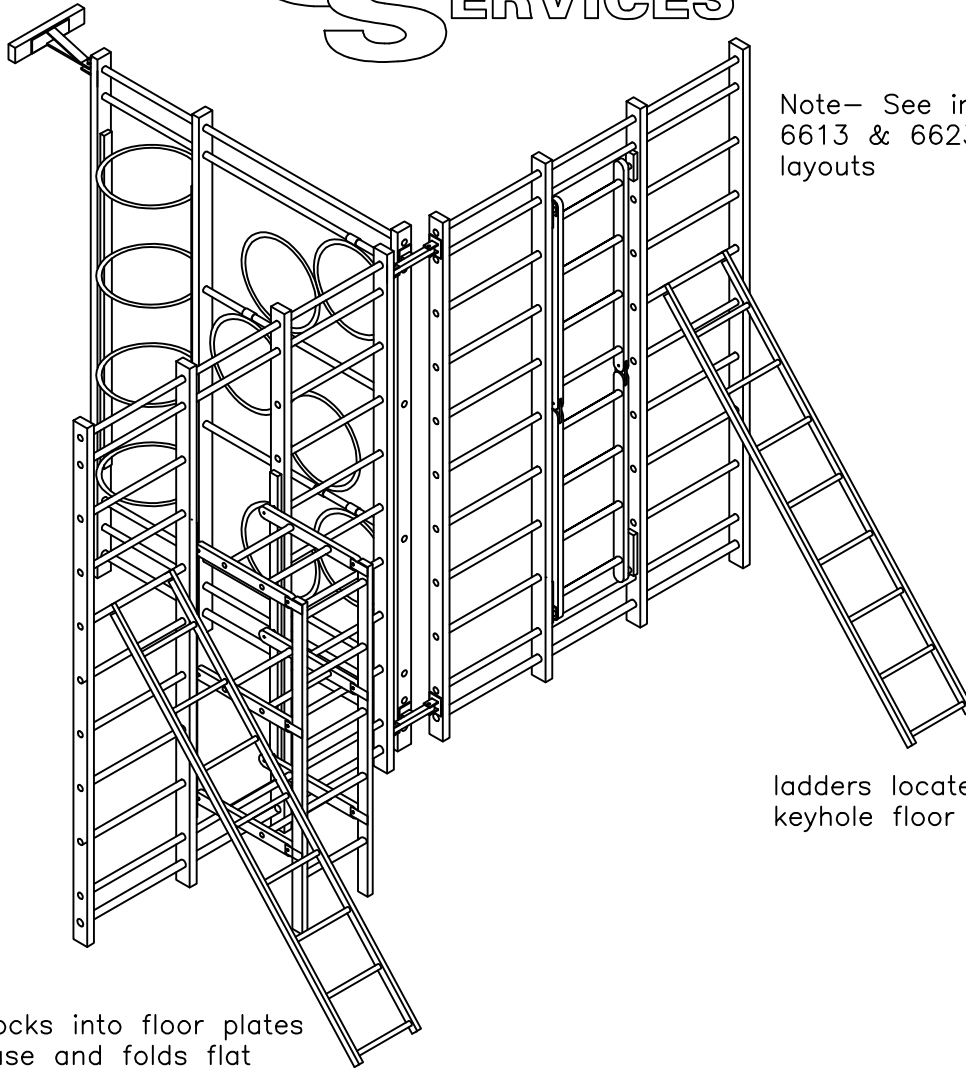


H = Height of skirting Can be varied to avoid pipes etc.
 NB. Distance shown between fillets applicable to 7ft long linking equipment only.

TITLE LINKING EQUIPMENT STORAGE BRACKETS

INFO SHEET No. 4412

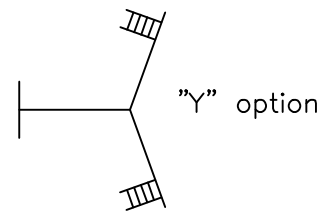
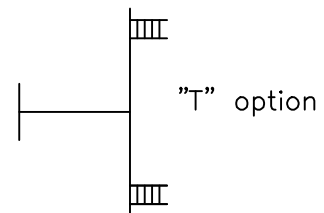
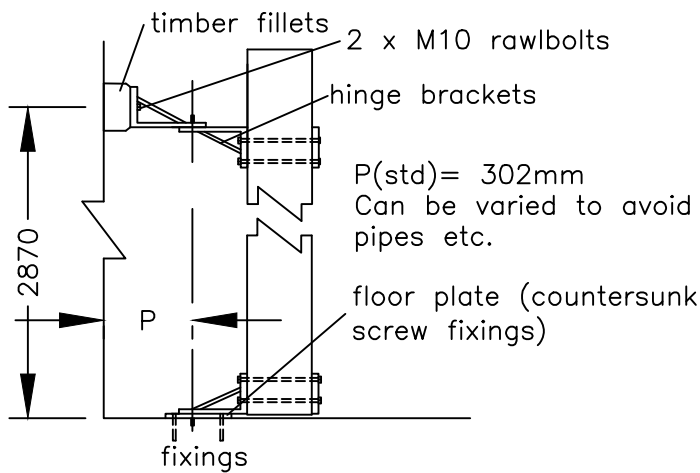
DATE 02.04.24 ISSUE D DRAWN KT SCALE N.T.S



Note— See information sheets 6613 & 6623 for floor plate layouts

ladders locate into keyhole floor plates

frame locks into floor plates during use and folds flat against the wall for storage

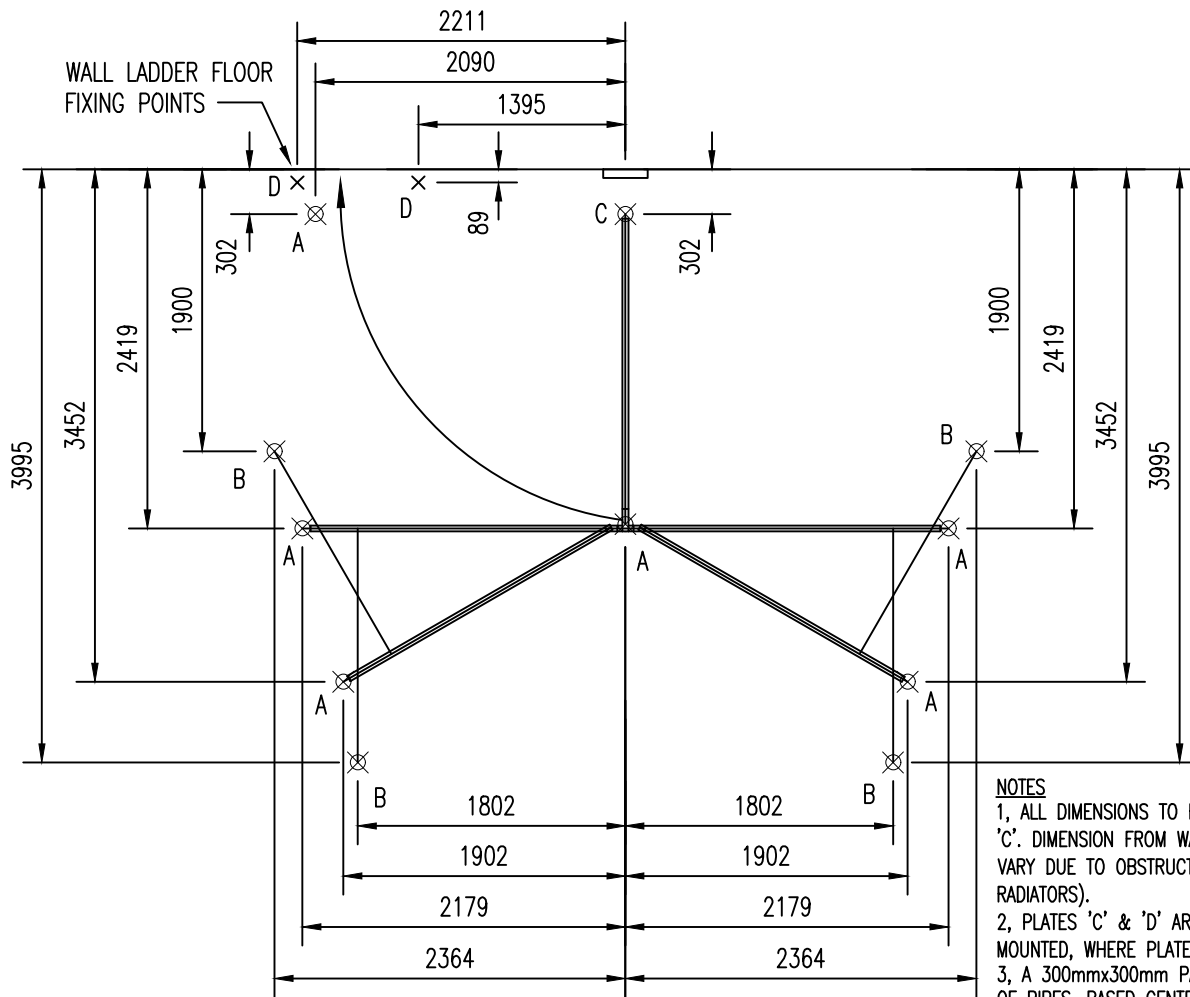


positioning options

TITLE TRIO NOVA FRAME

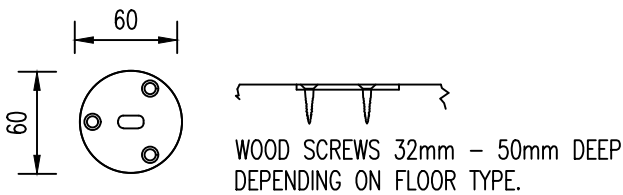
INFO SHEET No. 4413

DATE 01.05.2015 ISSUE E DRAWN PS SCALE N.T.S

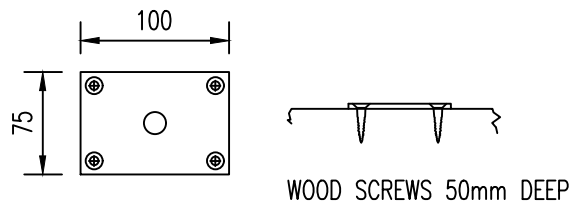


- NOTES**
- 1, ALL DIMENSIONS TO BE RELATIVE TO PLATE 'C'. DIMENSION FROM WALL TO PLATES 'C' MAY VARY DUE TO OBSTRUCTIONS TO FRAMES (IE RADIATORS).
 - 2, PLATES 'C' & 'D' ARE TO BE SURFACE MOUNTED, WHERE PLATES 'A' & 'B' ARE INLAID.
 - 3, A 300mmx300mm PAD TO BE LEFT CLEAR OF PIPES, BASED CENTRAL AROUND FLOOR PLATE TYPES 'A', 'B', 'C' & 'D'

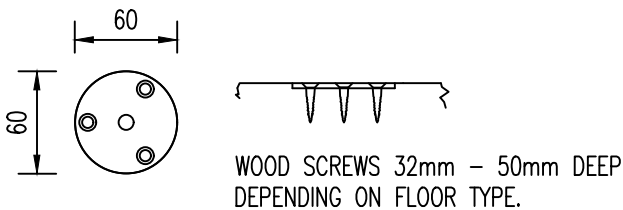
FLOOR PLATE TYPE 'A'



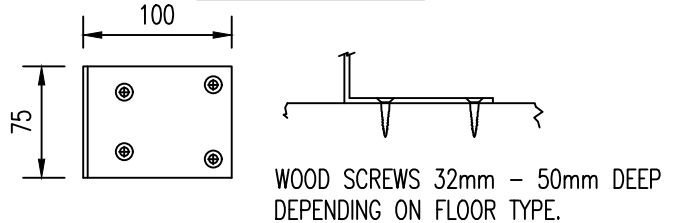
FLOOR PLATE TYPE 'C'



FLOOR PLATE TYPE 'B'



FLOOR PLATE TYPE 'D'



TITLE TRIO NOVA STANDARD FLOOR PLATE LAYOUT -
FOLDING LEFT

INFO SHEET No. 6613

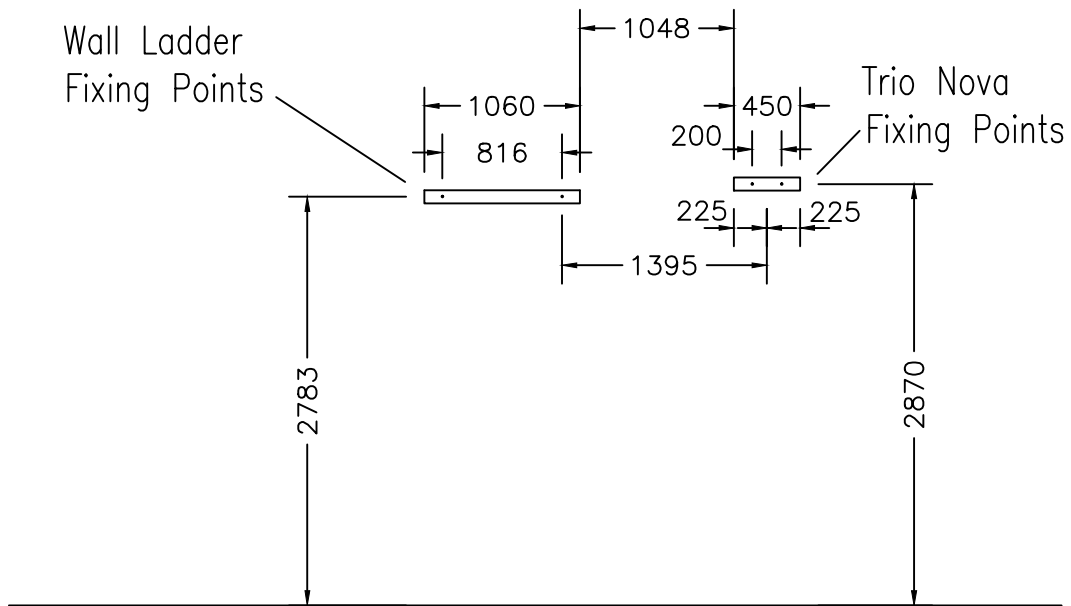
DATE 25.01.2019

ISSUE D

DRAWN PS

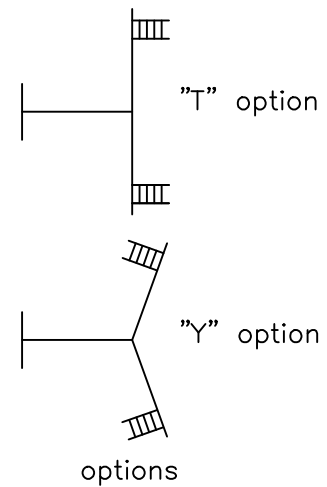
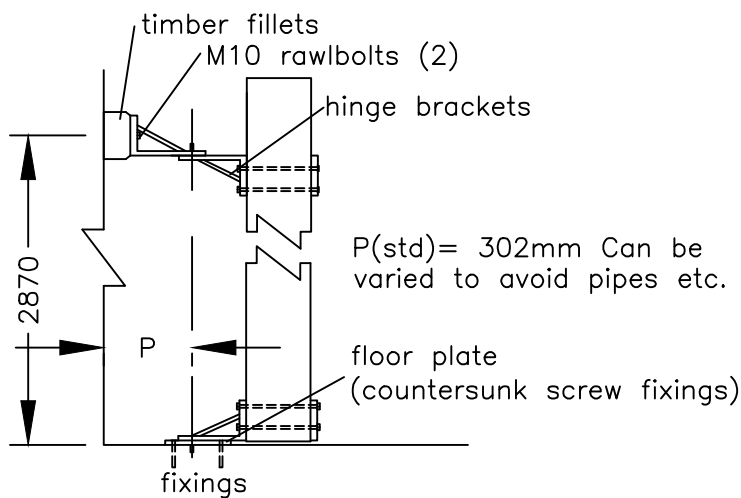
SCALE N.T.S

Note— See information sheet 6613 for floor plate layout



frame locks into floor plates during use and folds flat against the wall for storage

ladders locate into keyhole floor plates

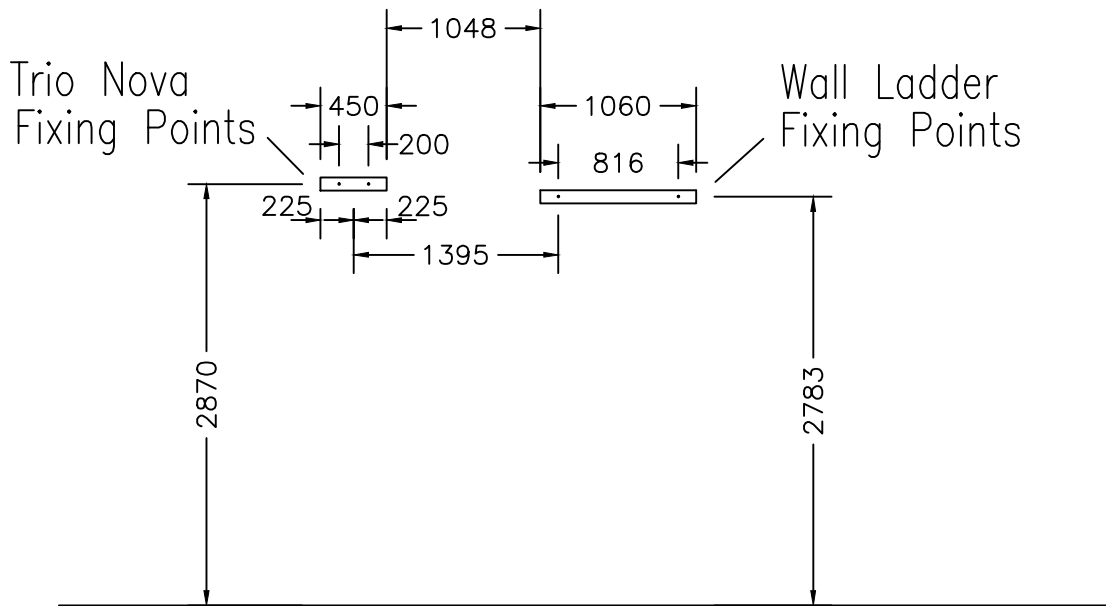


TITLE TRIO NOVA FRAME FIXING POINTS
—FOLDING LEFT

INFO SHEET No. 6622

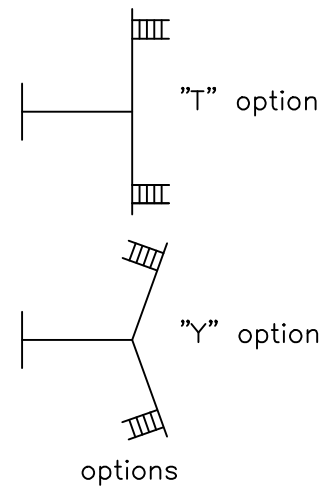
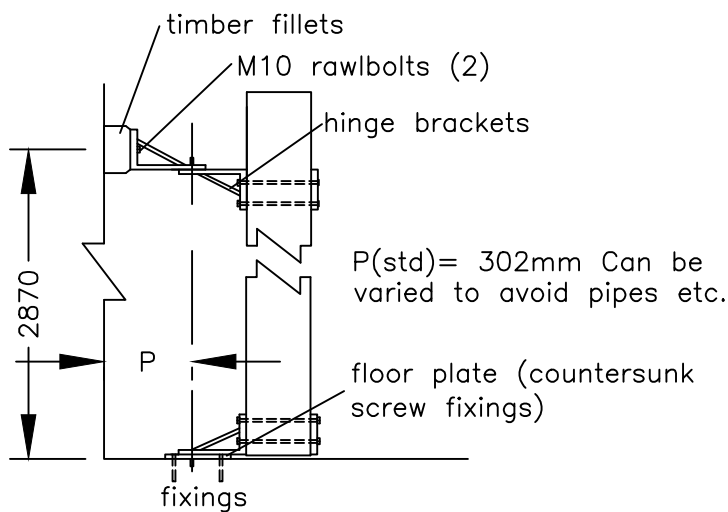
DATE	ISSUE	DRAWN	SCALE
05.05.2015	B	PS	N.T.S

Note— See information sheet 6623 for floor plate layout



frame locks into floor plates during use and folds flat against the wall for storage

ladders locate into keyhole floor plates



TITLE TRIO NOVA FRAME FIXING POINTS
—FOLDING RIGHT

INFO SHEET No. 6624

DATE 05.05.2015 ISSUE B DRAWN PS SCALE N.T.S