

H = Height of skirting Can be varied to avoid pipes etc.
 NB. Distance shown between fillets applicable to 7ft long linking equipment only.

TITLE LINKING EQUIPMENT STORAGE BRACKETS

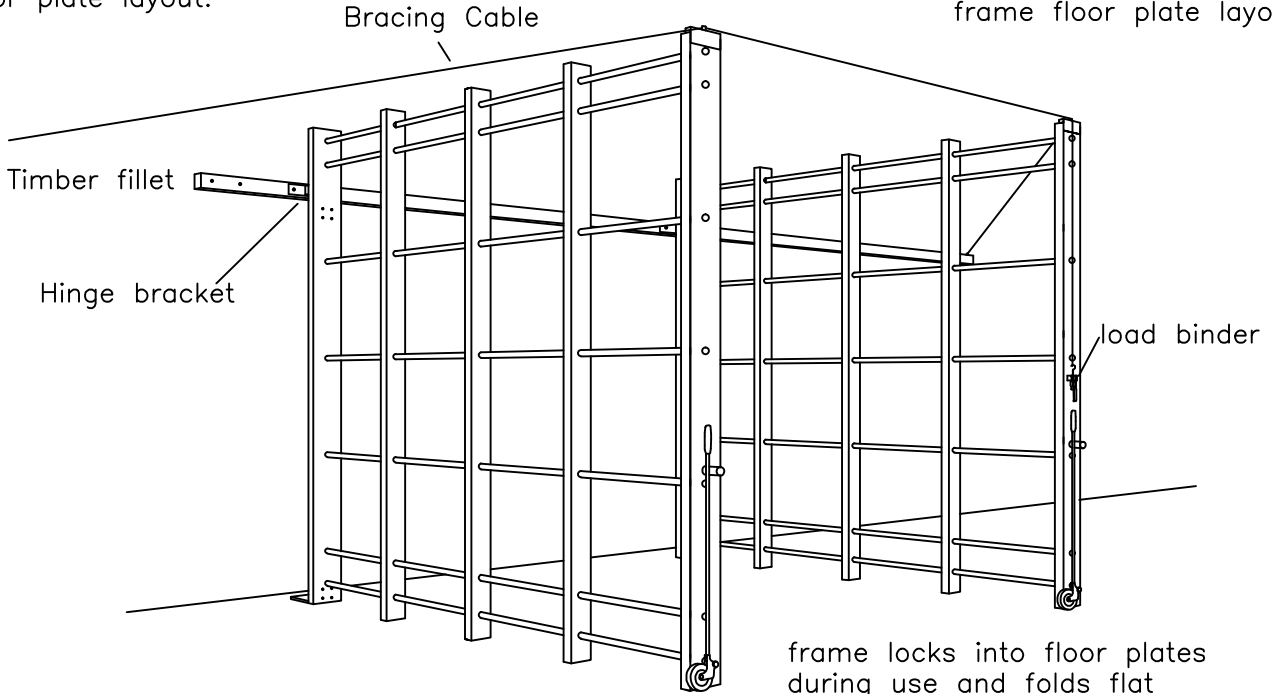
INFO SHEET No. 4412

DATE 02.04.24 ISSUE D DRAWN KT SCALE N.T.S



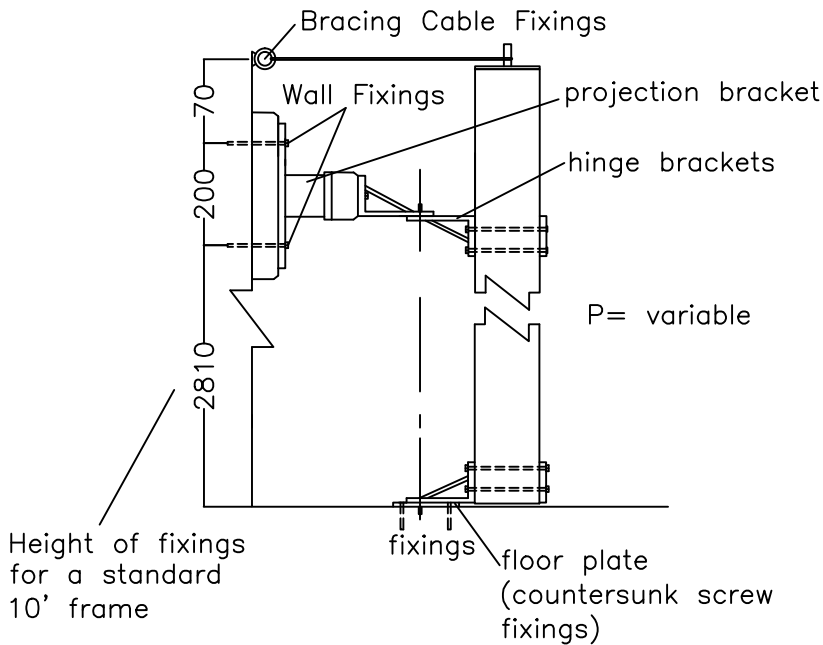
Note— see information sheets 6663, 6673 and 6683 for Super Nova frame floor plate layout.

Note— see information sheets 6633, 6643 and 6653 for Window Ladder frame floor plate layout.

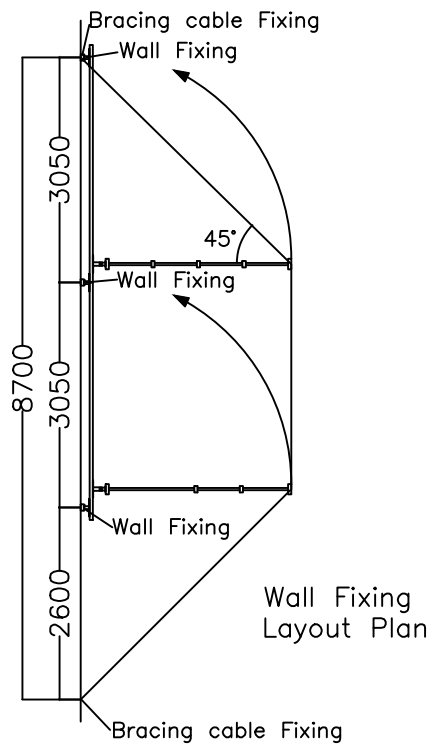


frame available in a choice of heights— 8', 10' or 12'.

frame locks into floor plates during use and folds flat against the wall for storage



Height of fixings for a standard 10' frame



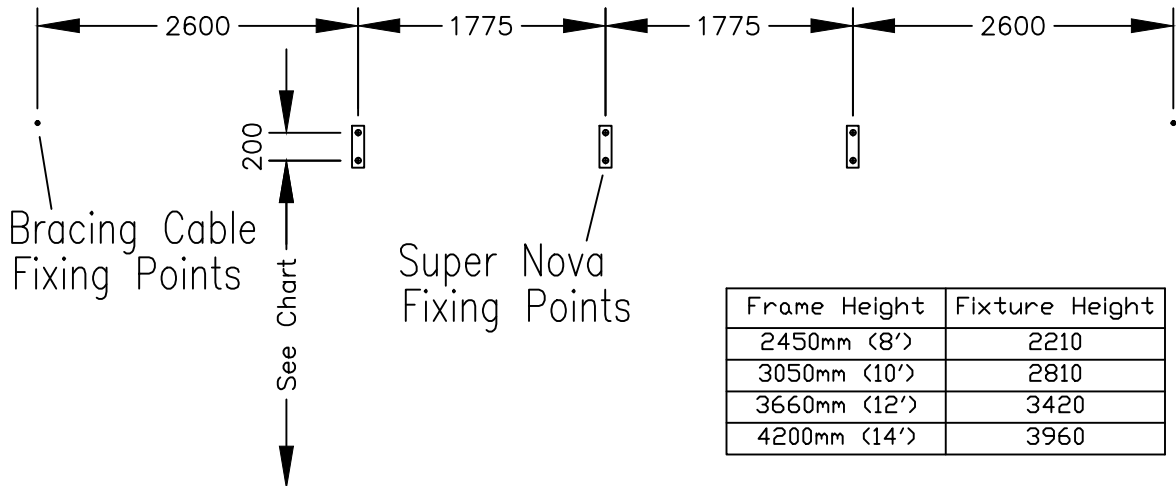
TITLE SUPER NOVA / WINDOW LADDER FRAME

INFO SHEET No. 4423

DATE 05.05.2015 ISSUE E DRAWN PS SCALE N.T.S

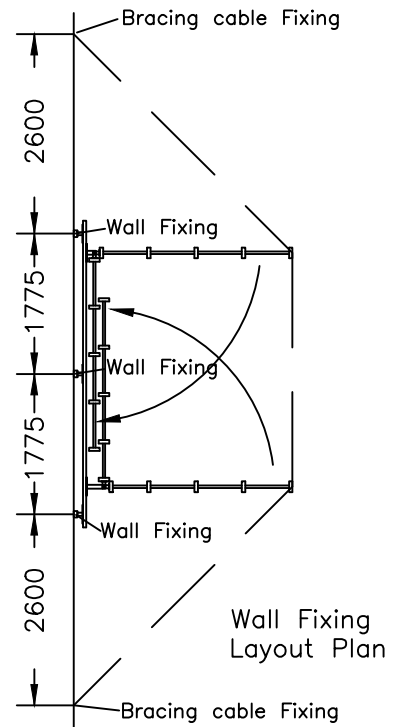
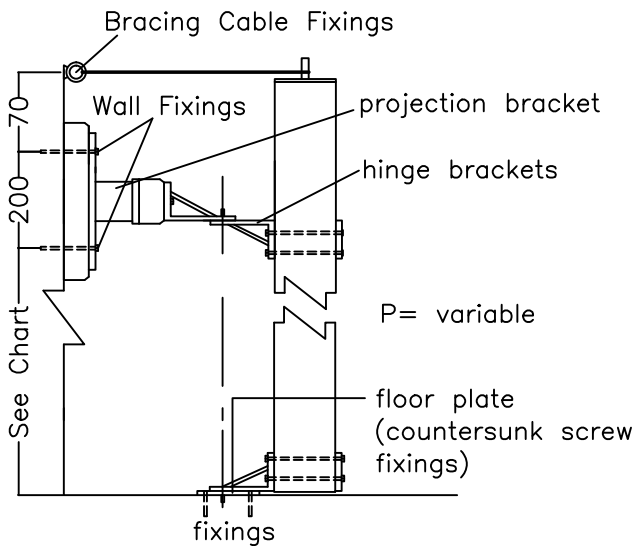


Note – See information sheets 6683 for floor plate layouts



Frame Height	Fixture Height
2450mm (8')	2210
3050mm (10')	2810
3660mm (12')	3420
4200mm (14')	3960

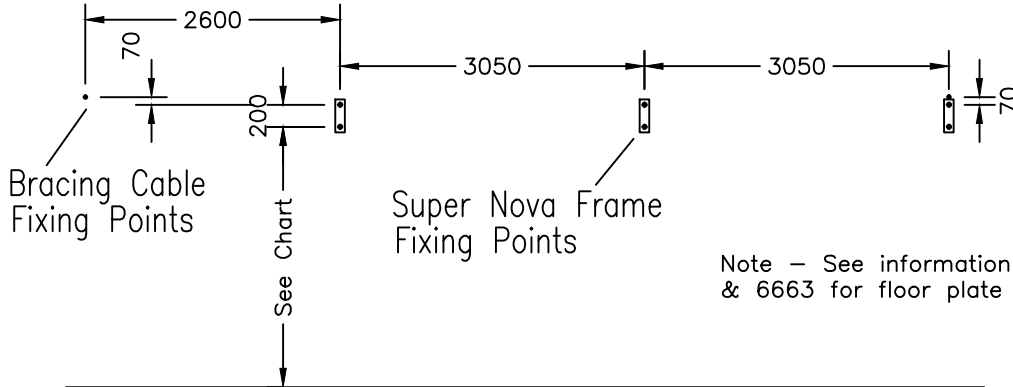
Folding Left Over Right



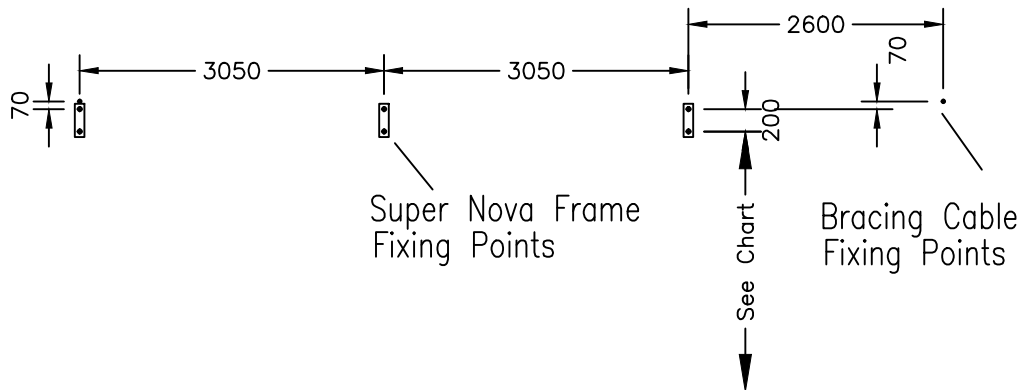
TITLE LEFT OVER RIGHT SUPER NOVA FRAME

INFO SHEET No. 4424

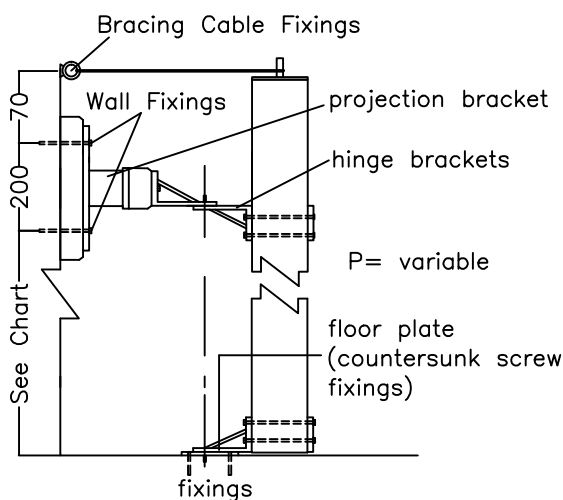
DATE 13.05.2015 ISSUE A DRAWN PS SCALE N.T.S



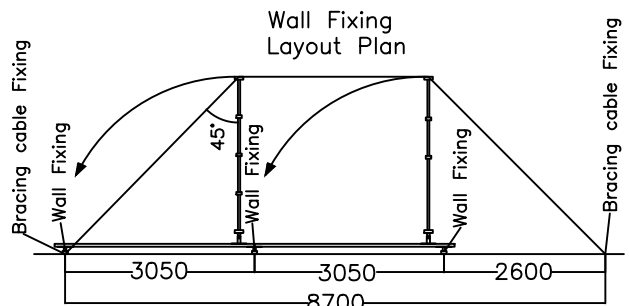
WALL ELEVATION FOR RIGHT FOLDING



WALL ELEVATION FOR LEFT FOLDING



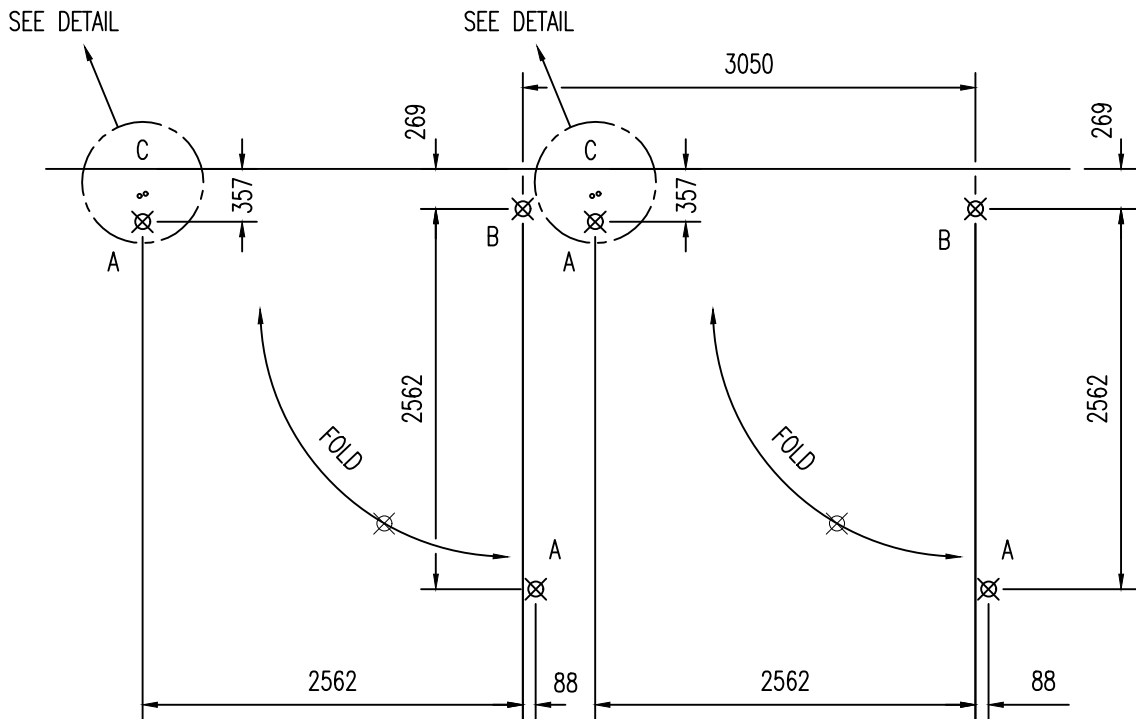
Frame Height	Fixture Height
2450mm (8')	2210
3050mm (10')	2810
3660mm (12')	3420
4200mm (14')	3960



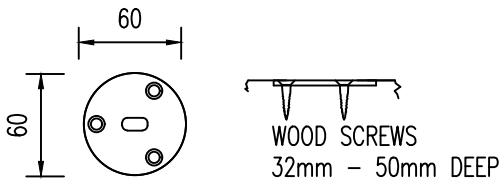
TITLE SUPER NOVA FRAME

INFO SHEET No. 4425

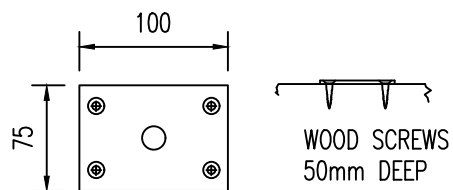
DATE 13.05.2015 ISSUE A DRAWN PS SCALE N.T.S



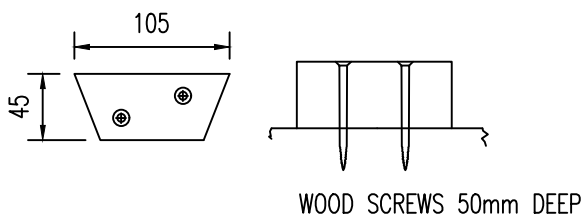
FLOOR PLATE TYPE 'A'



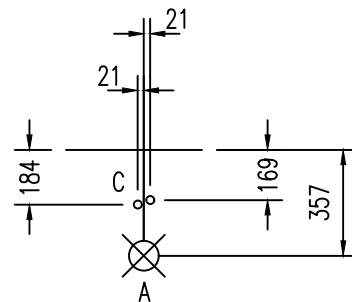
FLOOR PLATE TYPE 'B'



TIMBER STOP-BLOCK 'C'



STOP-BLOCK LOCATION DETAIL



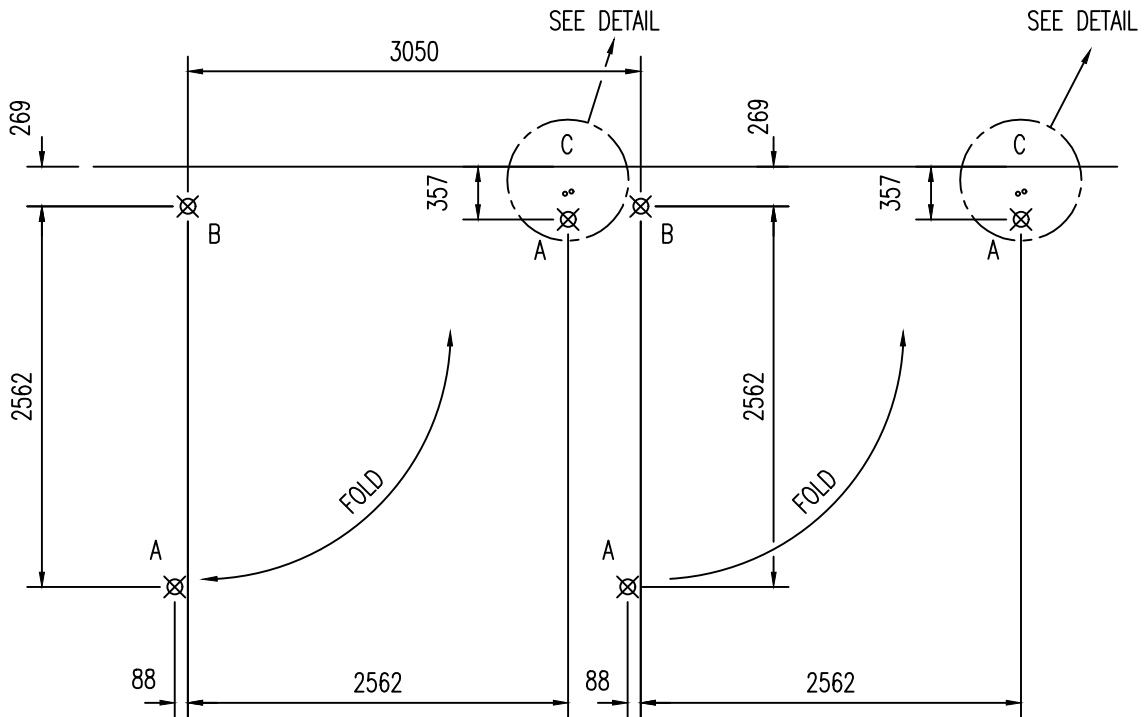
Notes

1. All dimensions to be relative to plate "B". Dimension from wall to plates "B" may vary due to obstructions to frames (ie radiators).
2. Plate "B" and block "C" are to be surface mounted whereas plate "A" is inlaid.
3. A 300mm x 300mm pad to be left clear of pipes, based central around floor plate types "A", "B" and "C".

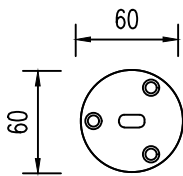
TITLE STANDARD FOLDING SUPERNOVA STD FLOOR PLATE LAYOUT - FOLDING LEFT

INFO SHEET No. 6663

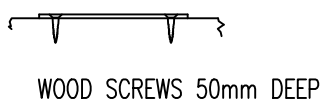
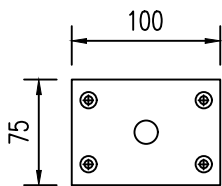
DATE 25.01.2019 ISSUE C DRAWN PS SCALE N.T.S



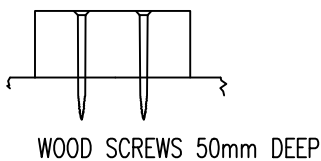
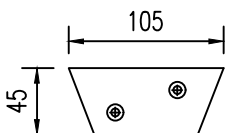
FLOOR PLATE TYPE 'A'



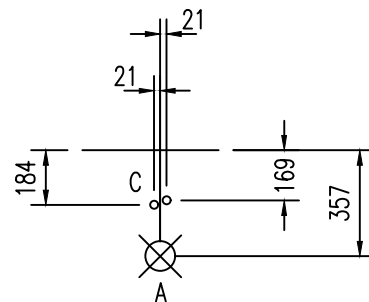
FLOOR PLATE TYPE 'B'



TIMBER STOP-BLOCK 'C'



STOP-BLOCK LOCATION DETAIL



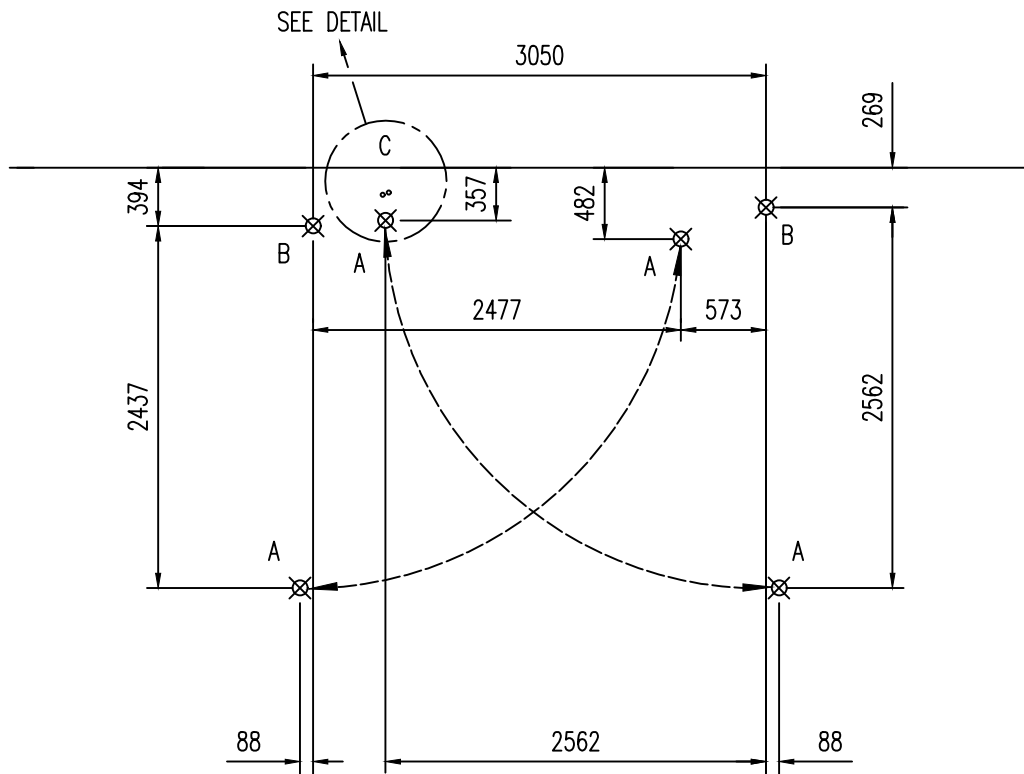
NOTES

1. ALL DIMENSIONS TO BE RELATIVE TO PLATE "B". DIMENSION FROM WALL TO PLATES "B" MAY VARY DUE TO OBSTRUCTIONS TO FRAMES (IE RADIATORS).
2. PLATE "B" AND BLOCK "C" ARE TO BE SURFACE MOUNTED WHEREAS PLATE "A" IS INLAID.
3. A 300mm x 300mm PAD TO BE LEFT CLEAR OF PIPES, BASED CENTRAL AROUND FLOOR PLATE TYPES "A", "B" AND "C".

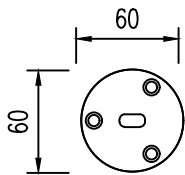
TITLE STANDARD FOLDING SUPERNOVA STD FLOOR PLATE LAYOUT - FOLDING RIGHT

INFO SHEET No. 6673

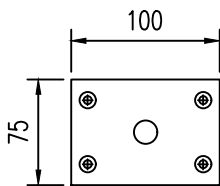
DATE 25.05.2019 ISSUE C DRAWN PS SCALE N.T.S



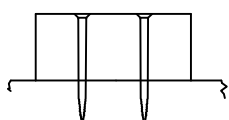
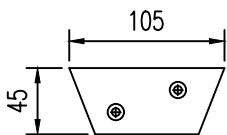
FLOOR PLATE TYPE 'A'



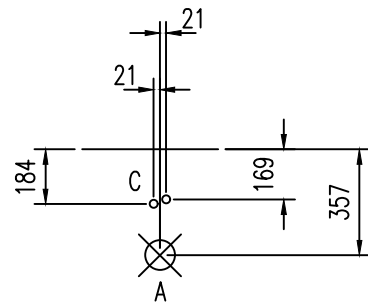
FLOOR PLATE TYPE 'B'



TIMBER STOP-BLOCK 'C'



STOP-BLOCK
LOCATION DETAIL



NOTES

1. ALL DIMENSIONS TO BE RELATIVE TO PLATE "B". DIMENSION FROM WALL TO PLATES "B" MAY VARY DUE TO OBSTRUCTIONS TO FRAMES (IE RADIATORS).
2. PLATE "B" AND BLOCK "C" ARE TO BE SURFACE MOUNTED WHEREAS PLATE "A" IS INLAID.
3. A 300mm x 300mm PAD TO BE LEFT CLEAR OF PIPES, BASED CENTRAL AROUND FLOOR PLATE TYPES "A", "B" AND "C".

TITLE STANDARD SUPERNOVA FRAME STD FLOOR PLATE
LAYOUT - FOLDING LEFT OVER RIGHT

INFO SHEET No.

6683

DATE

25.05.2019

ISSUE

C

DRAWN

PS

SCALE

N.T.S