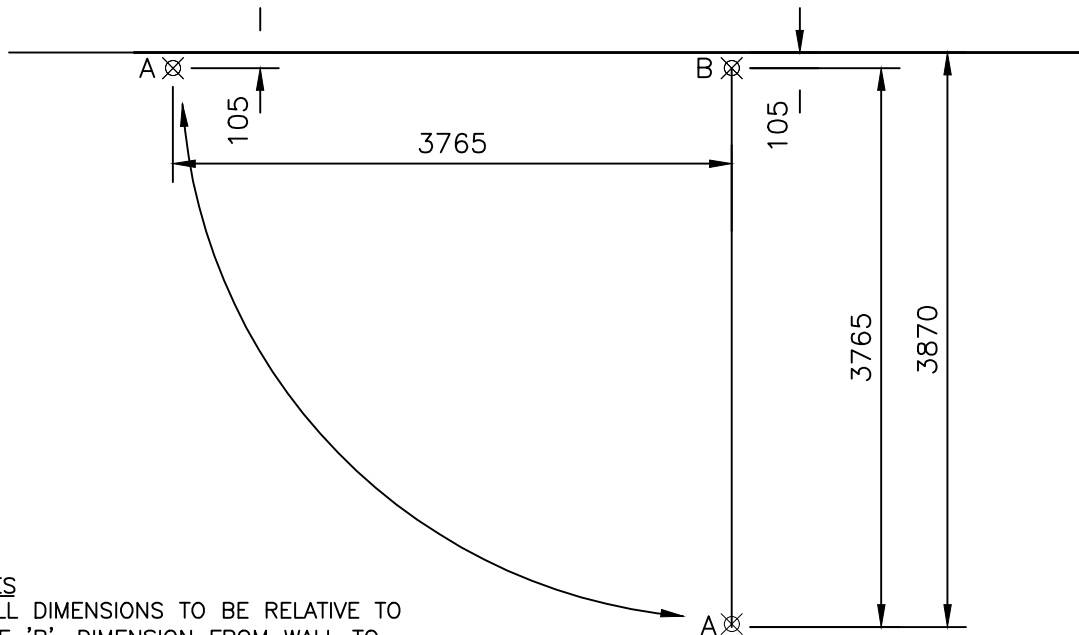


TITLE
ROPE FRAME 3600 high x 3600 wide

INFO SHEET No.
4393

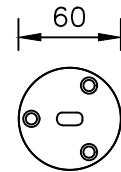
DATE 29.04.2015 ISSUE E DRAWN PS SCALE N.T.S.



NOTES

- 1, ALL DIMENSIONS TO BE RELATIVE TO PLATE 'B'. DIMENSION FROM WALL TO PLATES 'B' MAY VARY DUE TO OBSTRUCTIONS TO FRAMES (IE RADIATORS).
- 2, PLATES 'B' ARE TO BE SURFACE MOUNTED, WHERE PLATES 'A' ARE INLAID.
- 3, A 300mmx300mm PAD TO BE LEFT CLEAR OF PIPES, BASED CENTRAL AROUND FLOOR PLATE TYPES 'A', 'B'

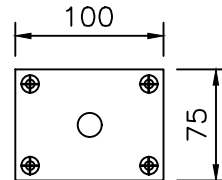
FLOOR PLATE TYPE A



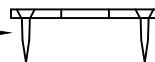
WOOD SCREWS 50mm DEEP



FLOOR PLATE TYPE B



WOOD SCREWS 50mm DEEP



TITLE STEEL ROPE FRAME STANDARD FLOOR
PLATE LAYOUT – FOLDING LEFT

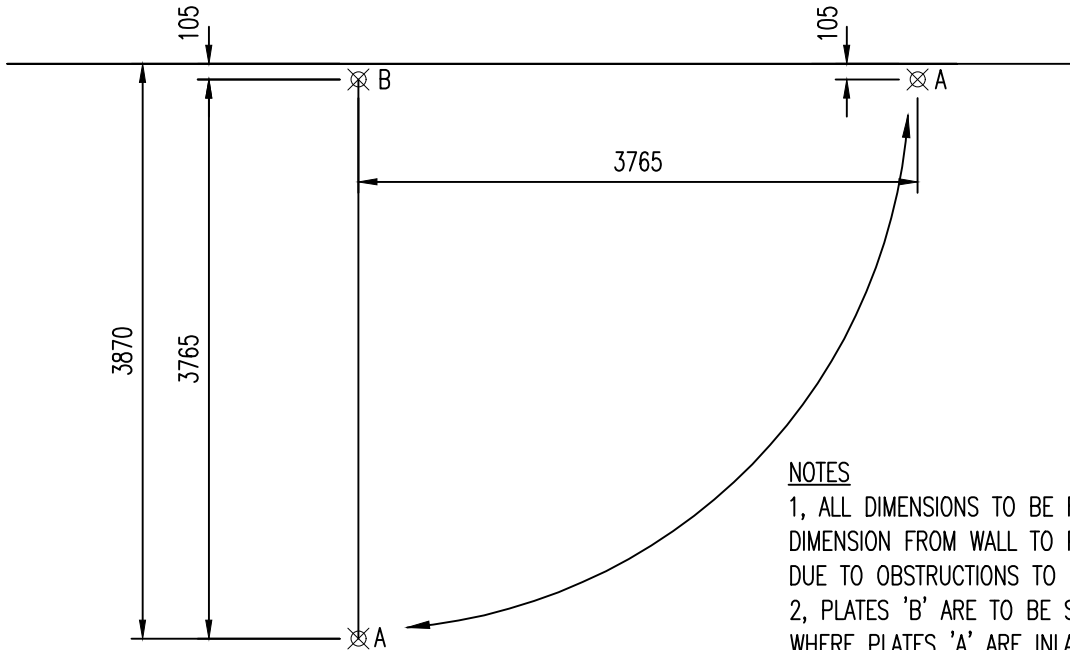
INFO SHEET No. 6533

DATE 25.01.2019

ISSUE D

DRAWN PS

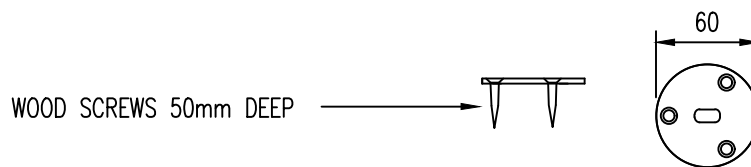
SCALE N.T.S



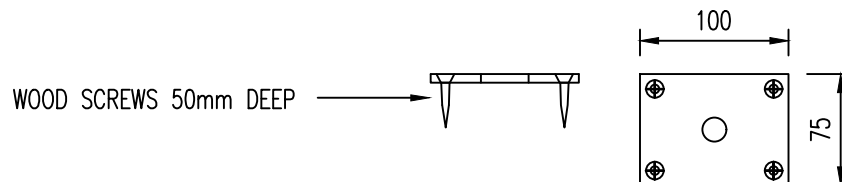
NOTES

- 1, ALL DIMENSIONS TO BE RELATIVE TO PLATE 'B'. DIMENSION FROM WALL TO PLATES 'B' MAY VARY DUE TO OBSTRUCTIONS TO FRAMES (IE RADIATORS).
- 2, PLATES 'B' ARE TO BE SURFACE MOUNTED, WHERE PLATES 'A' ARE INLAID.
- 3, A 300mmx300mm PAD TO BE LEFT CLEAR OF PIPES, BASED CENTRAL AROUND FLOOR PLATE TYPES 'A', 'B'

FLOOR PLATE TYPE A



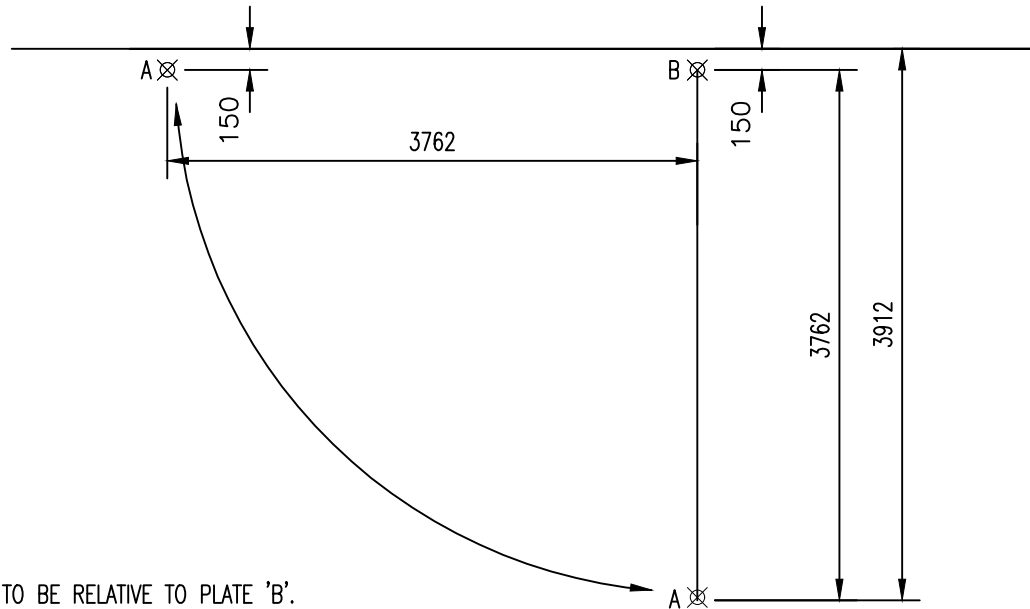
FLOOR PLATE TYPE B



TITLE STEEL ROPE FRAME STANDARD FLOOR PLATE LAYOUT
- FOLDING RIGHT

INFO SHEET No. 6543

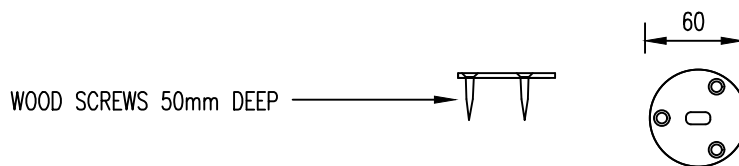
DATE 25.01.2019 ISSUE D DRAWN PS SCALE N.T.S



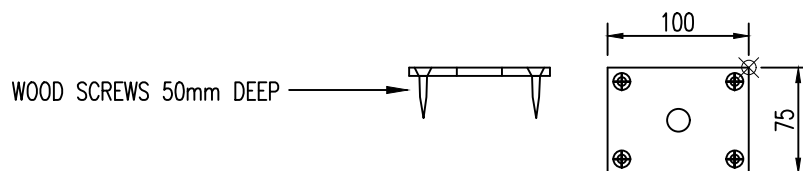
NOTES

- 1, ALL DIMENSIONS TO BE RELATIVE TO PLATE 'B'. DIMENSION FROM WALL TO PLATES 'B' MAY VARY DUE TO OBSTRUCTIONS TO FRAMES (IE RADIATORS).
- 2, PLATES 'B' ARE TO BE SURFACE MOUNTED, WHERE PLATES 'A' ARE INLAID.
- 3, A 300mmx300mm PAD TO BE LEFT CLEAR OF PIPES, BASED CENTRAL AROUND FLOOR PLATE TYPES 'A', 'B'

FLOOR PLATE TYPE A



FLOOR PLATE TYPE B



TITLE WOODEN ROPE FRAME STANDARD FLOOR PLATE LAYOUT - FOLDING LEFT

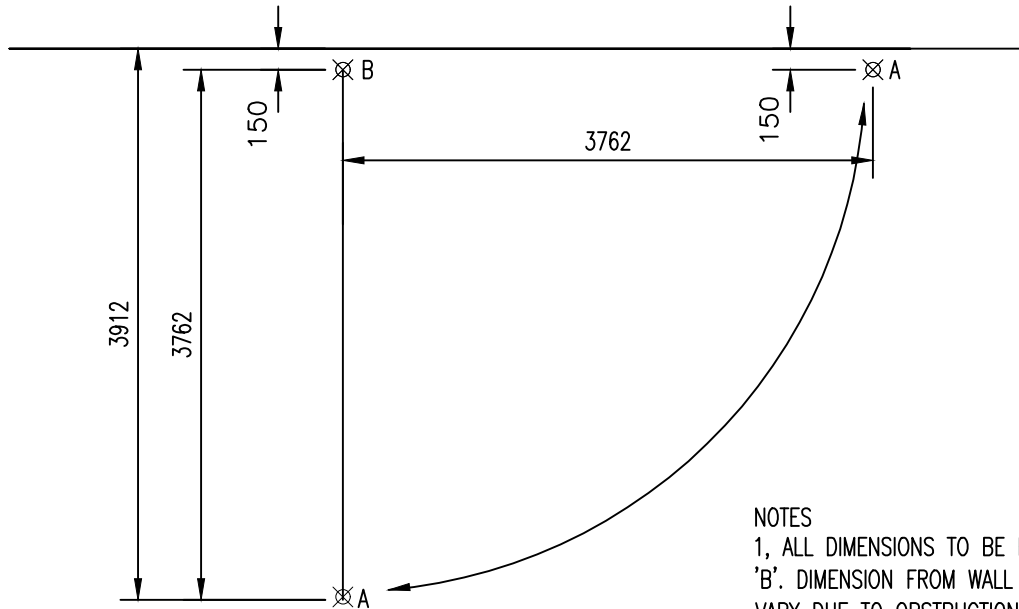
INFO SHEET No. 6553

DATE 25.01.2019

ISSUE D

DRAWN PS

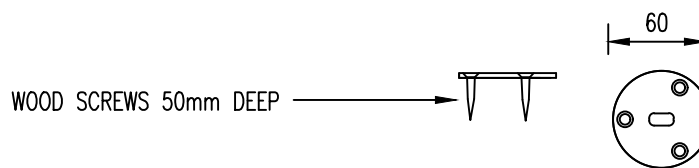
SCALE N.T.S



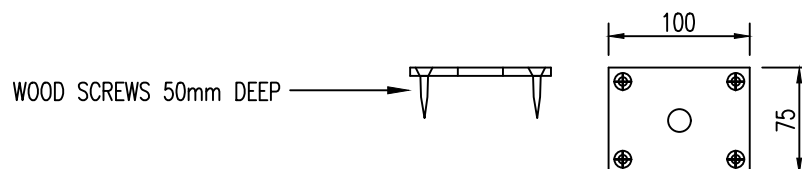
NOTES

- 1, ALL DIMENSIONS TO BE RELATIVE TO PLATE 'B'. DIMENSION FROM WALL TO PLATES 'B' MAY VARY DUE TO OBSTRUCTIONS TO FRAMES (IE RADIATORS).
- 2, PLATES 'B' ARE TO BE SURFACE MOUNTED, WHERE PLATES 'A' ARE INLAID.
- 3, A 300mmx300mm PAD TO BE LEFT CLEAR OF PIPES, BASED CENTRAL AROUND FLOOR PLATE TYPES 'A', 'B'

FLOOR PLATE TYPE A



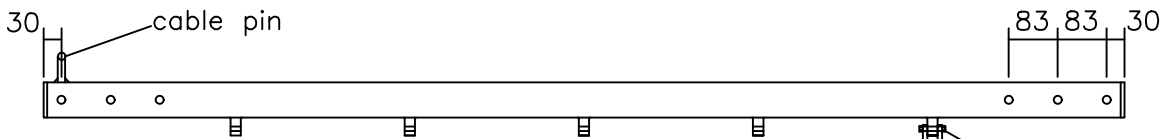
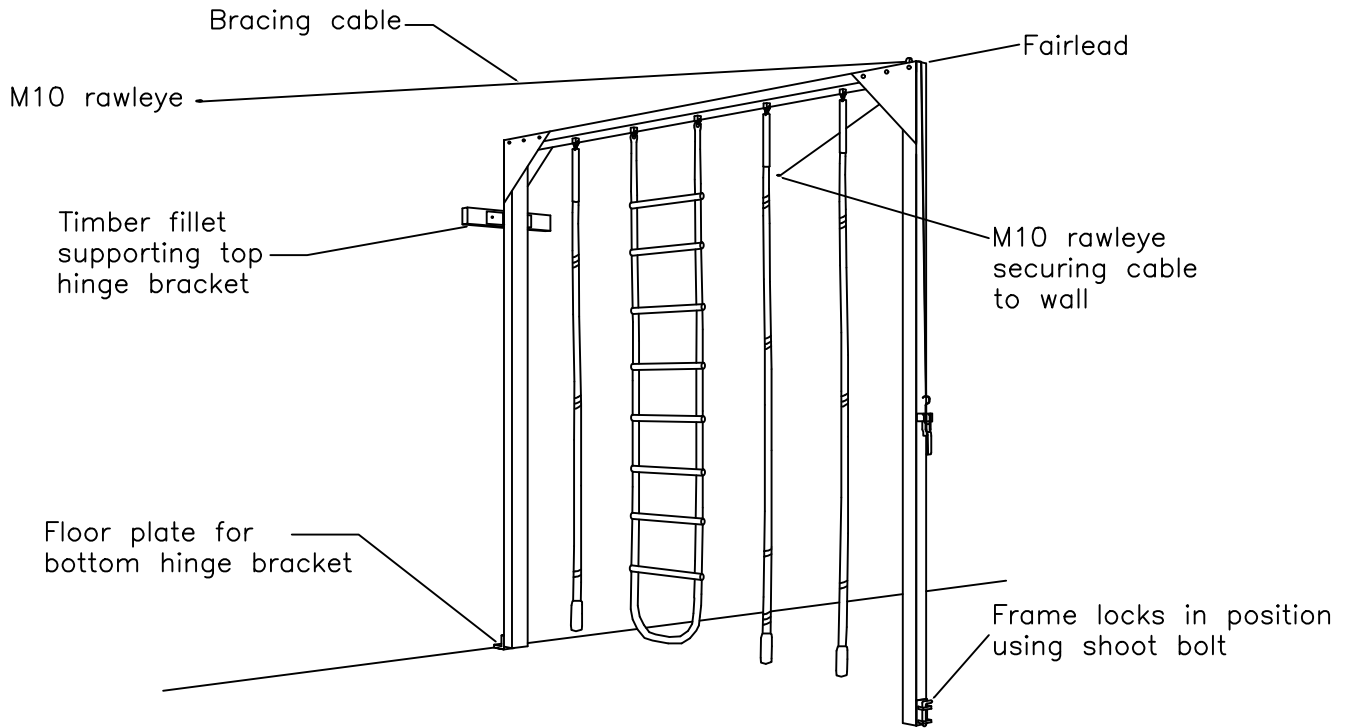
FLOOR PLATE TYPE B



TITLE WOODEN ROPE FRAME STANDARD FLOOR PLATE
LAYOUT - FOLDING RIGHT

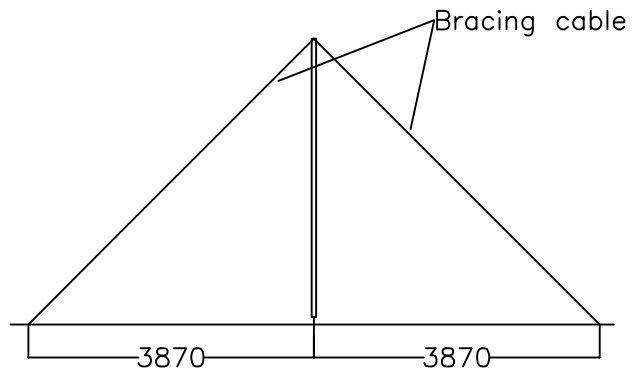
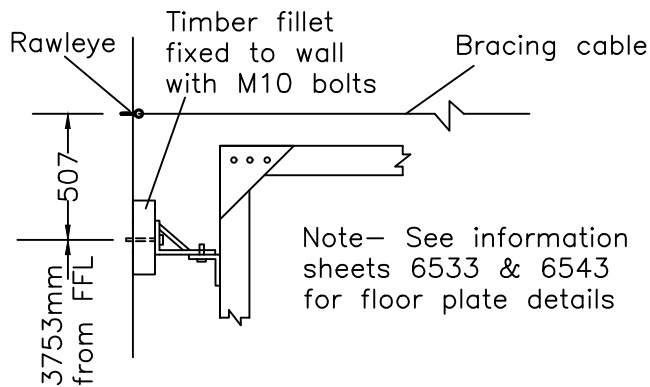
INFO SHEET No. 6563

DATE 25.01.2019 ISSUE D DRAWN PS SCALE N.T.S



ropes attached using 12cwt 'D' shackle
 Shackle pin replaced with hex head bolt and nyloc nut

fixing (top)



TITLE
 STEEL ROPE FRAME 4200(H) x 3600(W)

INFO SHEET No.
 4391

DATE 19.7.22 ISSUE C DRAWN KT SCALE N.T.S.