

HEIGHT "H"	GROSS WEIGHT MANUAL	GROSS WEIGHT ELECTRIC
10m	232kg	278kg
9m	216kg	261kg
8m	198kg	243kg
7m	181kg	226kg
6m	165kg	210kg

"H" = HEIGHT FROM UNDERSIDE OF SUPPORT STEELWORK TO F.F.L.
 ADD 320kg LIVE LOAD AT CONNECTION POINTS
 BETWEEN RING AND BACKBOARD

Baseline of court

Goals can be either electrically or manually operated, with the lifting cable following an appropriate route, as shown above.

Frame, lifting steel and winch assembly are fixed to beams using 'lindapter' girder clamps.

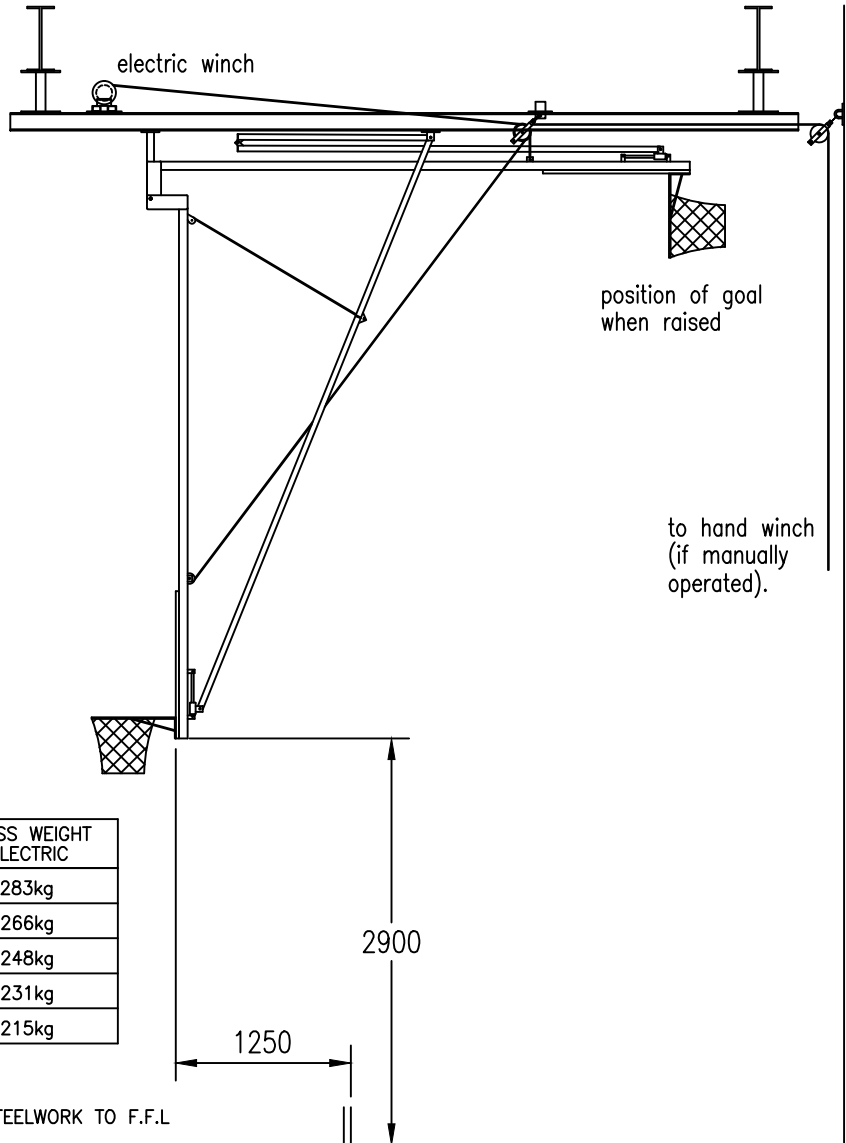
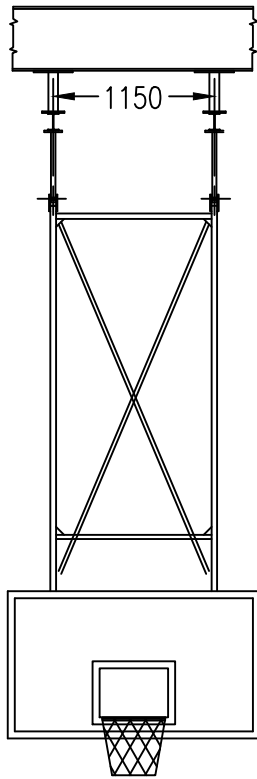
Supporting steels fixed to roof structure by most suitable method.

Goals are blue in colour (RAL5010) as standard.

TITLE ROOF MOUNTED BASKETBALL GOAL FORWARD FOLD (MANUAL OR ELECTRIC)

INFO SHEET No. 1011

DATE 21.04.2015 ISSUE E DRAWN PS SCALE N.T.S.



HEIGHT "H"	GROSS WEIGHT MANUAL	GROSS WEIGHT ELECTRIC
10m	238kg	283kg
9m	221kg	266kg
8m	203kg	248kg
7m	186kg	231kg
6m	170kg	215kg

"H" = HEIGHT FROM UNDERSIDE OF SUPPORT STEELWORK TO F.F.L.
 ADD 320kg LIVE LOAD AT CONNECTION POINTS
 BETWEEN RING AND BACKBOARD

Baseline of court

Goals can be either electrically or manually operated, with the lifting cable following an appropriate route, as shown above.

Frame, lifting steel and winch assembly are fixed to beams using 'lindapter' girder clamps.

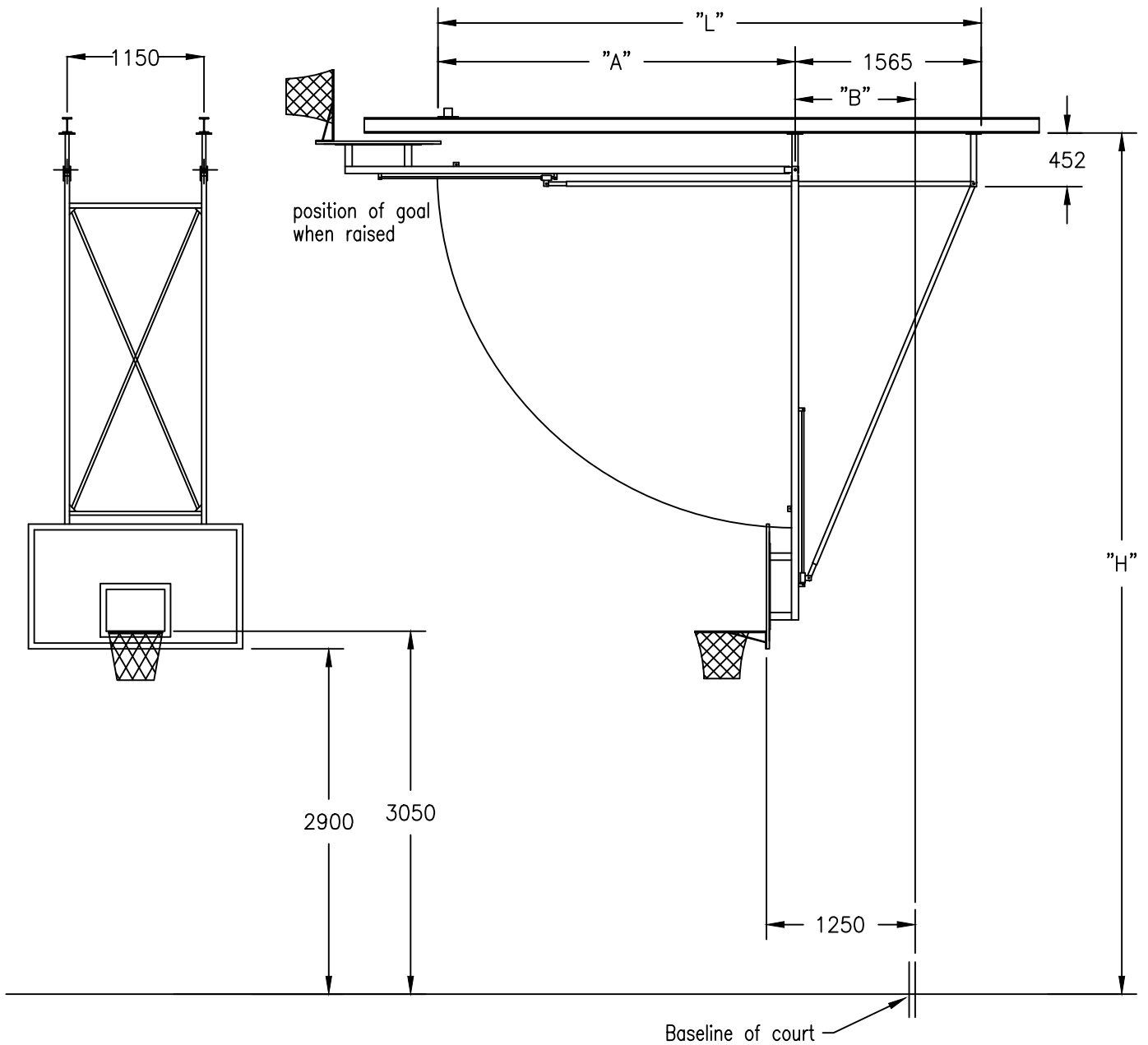
Supporting steels fixed to roof structure by most suitable method.

Goals are blue in colour (RAL5010) as standard.

TITLE ROOF MOUNTED BASKETBALL GOAL REARWARD FOLD (MANUAL OR ELECTRIC)

INFO SHEET No. 1021

DATE 22.04.2015 ISSUE D DRAWN PS SCALE N.T.S.



$$A = H - 4236$$

H = HEIGHT FROM F.F.L TO UNDERSIDE OF STEELWORK

$$L = A + 1565$$

OVERALL LENGTH OF STEELS = L + WHATEVER NECESSARY TO CONNECT TO ROOF STRUCTURE

B = 1009 (TIMBER BOARDS) OR 972 (ACRYLIC BOARDS)*

*THESE DIMENSIONS DO NOT ALLOW FOR ADJUSTABLE HEIGHT BACK BOARDS

NB. THIS INFORMATION SHEET IS INTENDED AS A GUIDE ONLY

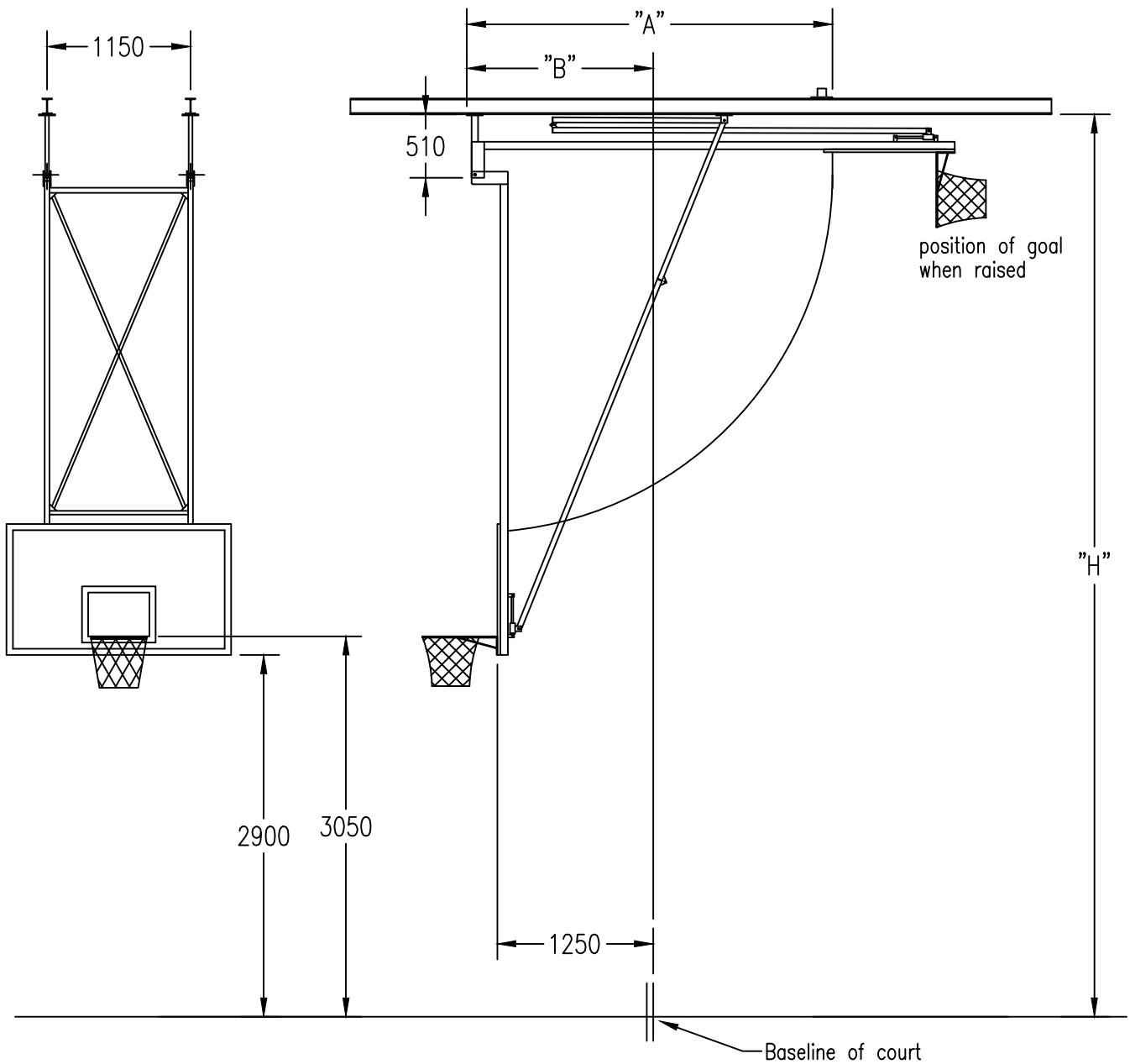
UNIVERSAL SERVICES SHOULD BE CONSULTED TO APPROVE STEELWORK DRAWINGS PRIOR TO INSTALLATION

SEE ALSO INFORMATION SHEETS No.1081 AND No.1011

TITLE	GUIDE FOR SUPPORTING STEELWORK FOR FORWARD FOLD BASKETBALL GOALS
-------	---

INFO SHEET No.	1051
----------------	------

DATE	26.03.2024	ISSUE	D	DRAWN	KT	SCALE	N.T.S.
------	------------	-------	---	-------	----	-------	--------



$$A = H - 4380$$

H = HEIGHT FROM F.F.L TO UNDERSIDE OF STEELWORK

OVERALL LENGTH OF STEELS = A + WHATEVER NECESSARY TO CONNECT TO ROOF STRUCTURE

B = 1495 (TIMBER BOARDS) OR 1458 (ACRYLIC BOARDS)*

*THESE DIMENSIONS DO NOT ALLOW FOR ADJUSTABLE HEIGHT BACK BOARDS

NB. THIS INFORMATION SHEET IS INTENDED AS A GUIDE ONLY

UNIVERSAL SERVICES SHOULD BE CONSULTED TO APPROVE STEELWORK DRAWINGS PRIOR TO INSTALLATION

SEE ALSO INFORMATION SHEETS No.1081 AND No.1021

TITLE GUIDE FOR SUPPORTING STEELWORK
FOR REARWARD FOLD BASKETBALL GOALS

INFO SHEET No. 1061

DATE 26.03.24 ISSUE D DRAWN KT SCALE N.T.S.



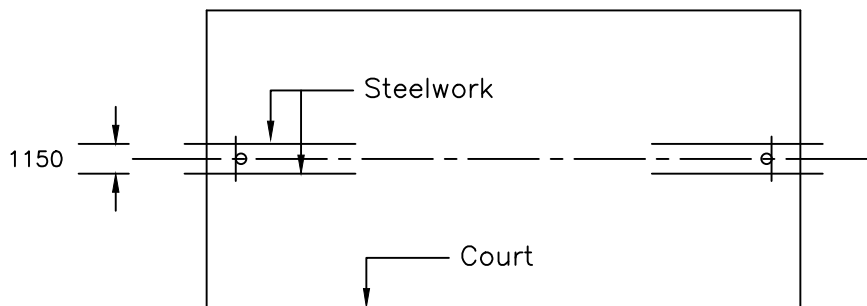
Universal Services require supporting steelwork to be installed by the customer or his nominated subcontractor prior to the installation by Universal Services of any roof mounted basketball goal.

Universal Services require that the steelwork is to the following specification :-

For each goal; 2 x Universal Beams of a suitable size (dependant on distance between fixings (minimum size = 127 x 76mm x 13Kgm)) are to be fixed in a suitable location at 1150mm centres \pm 1mm and centered upon the centre line of the basketball court.

Maximum height to underside of steelwork is 10m AFFL.

(see sketch below for details)



Universal Beams are to be level in both planes and are to be situated in a location agreed between Universal Services and the customer.

The length and location of the beams is dependant on :-

- a, Roof fixings available
- b, Size of basketball court
- c, Height of hall
- d, Location of court within the hall
- e, Type of goal to be fitted eg. forward fold, rearward fold, 30 degree etc.
- f, Potential co-ordination issues with high level services

To calculate the length of the beams see information sheets Nos. 1051,1061,1071&1091

For weights of goals and further information see information sheets relating to roof mounted basketball goals Nos. 1011,1021,1031&1042

NB: on most types of goal a clear space is required above the steelwork to accommodate the ring and electric winch. It may therefore be necessary to fix the steelwork on drop legs.

This information sheet is intended as a guide only. Universal Services should be consulted to approve steelwork drawings prior to installation.

TITLE STEELWORK SPECIFICATION FOR ROOF MOUNTED BASKETBALL GOALS

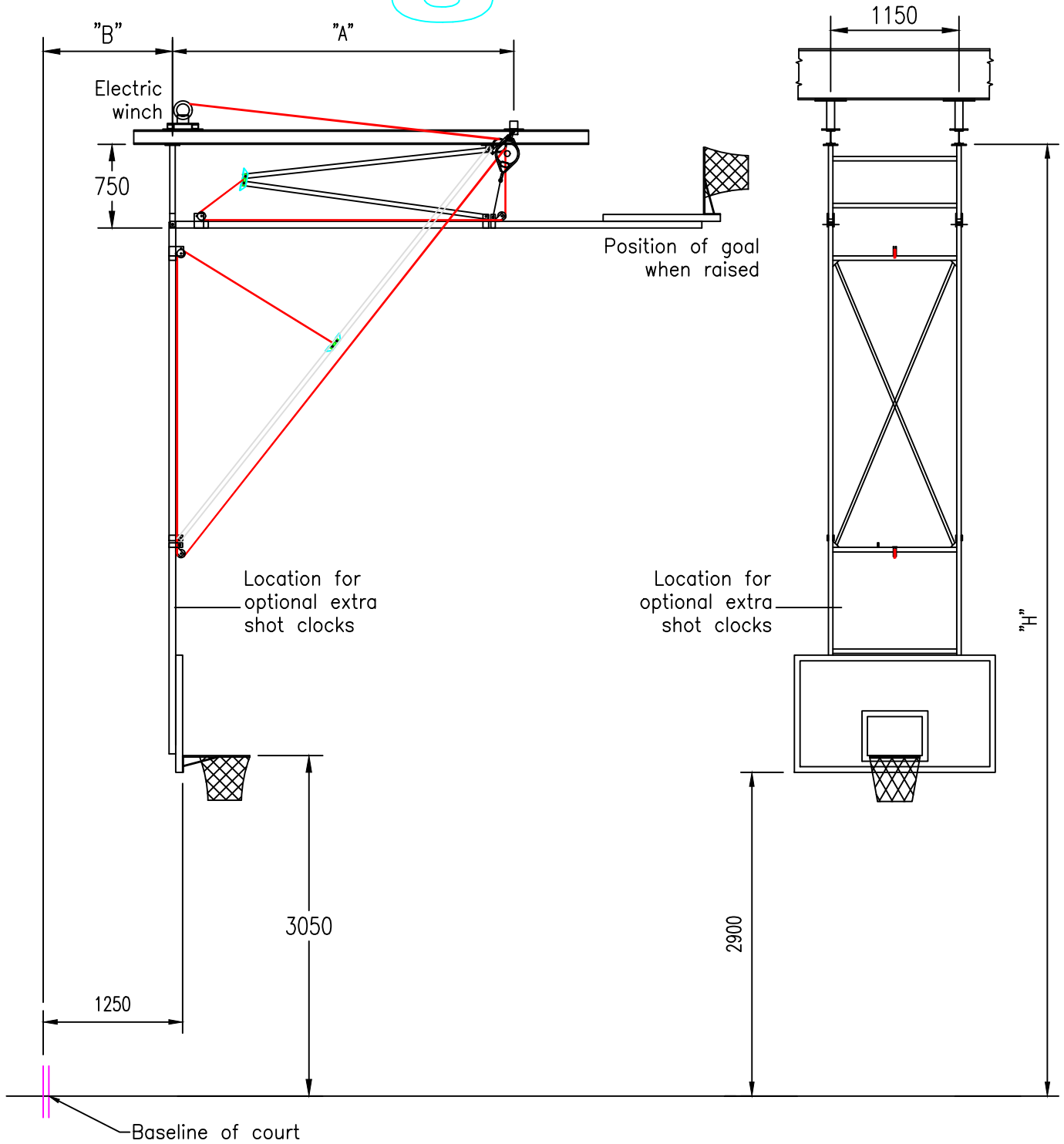
INFO SHEET No. 1081

DATE 26.03.24

ISSUE E

DRAWN KT

SCALE N.T.S.



$$A = H - 5470$$

H = HEIGHT FROM FFL TO UNDERSIDE OF STEELWORK

B = 1195 (WOODEN BOARDS) OR 1158 (ACRYLIC BOARDS)*

MINIMUM LENGTH OF STEELWORK REQUIRED = A + 350 (175 TO EACH END)

CLEAR HEIGHT UNDERNEATH GOAL = H - 750 (NOT ALLOWING FOR SHOT CLOCKS)

*THESE DIMENSIONS DO NOT ALLOW FOR ADJUSTABLE HEIGHT BACK BOARDS

GOALS ARE BLUE IN COLOUR (RAL 5010) AS STANDARD

TITLE ROOF MOUNTED BASKETBALL GOAL FORWARD BREAK MODEL

INFO SHEET No. 1091

DATE 19.3.24 ISSUE A DRAWN KT SCALE N.T.S.

WIRING SPECIFICATION FOR ELECTRICALLY
OPERATED BASKETBALL GOAL (Single)

TO BE PROVIDED BY THE CUSTOMER OR HIS CONTRACTOR

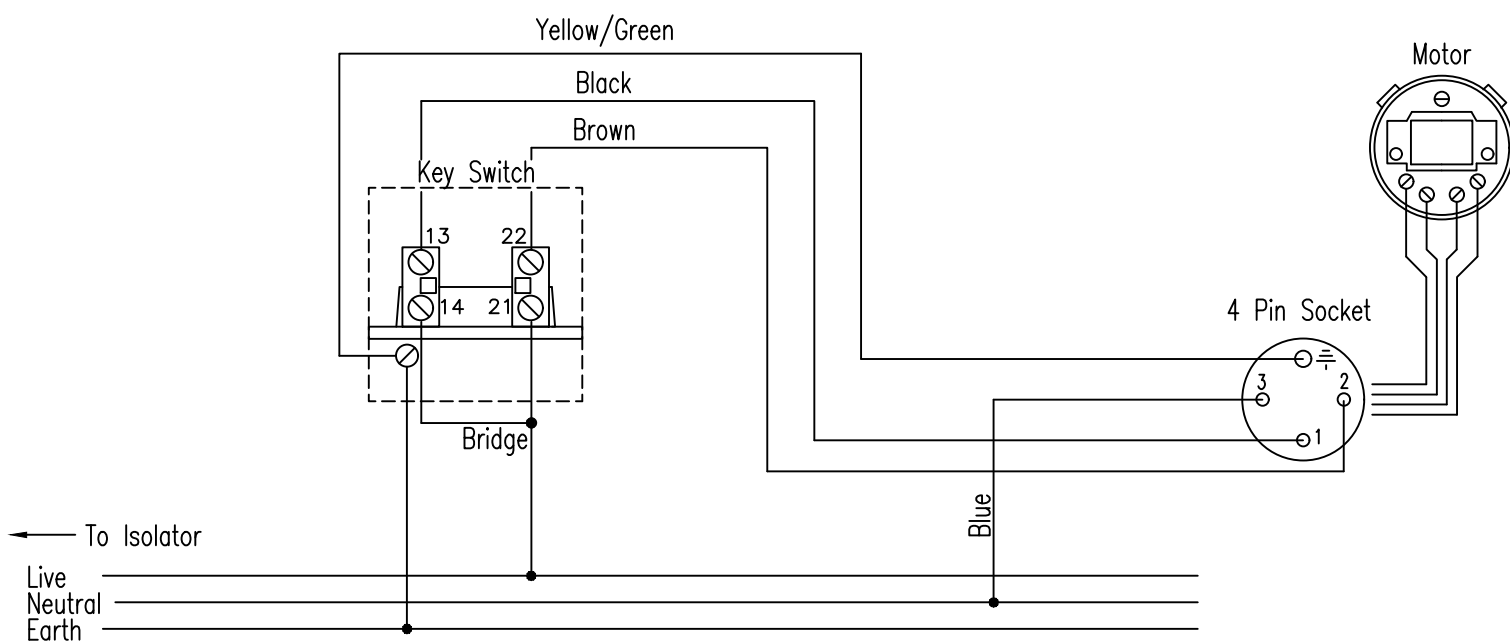
- a. A 230V power supply with a 5Amp fused isolating switch must be provided from the customers fuse board to a position adjacent to the control switch.
- b. A set of 4 wires (colour coded as per diagram) must be run in conduit from the isolator to the motor position via the control switch.
At the motor position the wires must terminate in the 4 pin socket sited within 1.0m of the motor position.
- c. Motor specification:- 230v 50Hz Single Phase
0.45Kw - 2.1Amp
Speed = 12 Rpm

NOTES

The control switch and four pin socket will be provided by Universal Services prior to the electrical installation. All connections must be made by the customers electrical contractor in strict accordance with the wiring diagram shown below. The Motor will be provided and installed by Universal Services after completion of the electrical installation.

The installation should be carried out in accordance with current I.E.E. regulations.

The control switch must be located outside of the main hall but in such a position that it is within eyesight of the goal to oversee operation.



N.B This information sheet is for One Single Goal, see information sheet No. 1271 for a Two Goal installation

TITLE WIRING SPECIFICATION FOR ELECTRICALLY OPERATED
BASKETBALL GOAL (Single)

INFO SHEET No.

1261

DATE

8.8.23

ISSUE

F

DRAWN

KT

SCALE

N.T.S

WIRING SPECIFICATION FOR ELECTRICALLY OPERATED BASKETBALL GOALS (Pair)
TO BE PROVIDED BY THE CUSTOMER OR HIS CONTRACTOR

- A 230V power supply with a 5Amp fused isolating switch must be provided from the customers fuse board to a position adjacent to the control switches.
- A set of 4 wires (colour coded as per diagram) must be run in conduit from the isolator to each motor position via the control switch. At the motor positions the wires must terminate in the 4 pin socket sited within 1.0m of the motor positions.
- Motor specification:- 230v 50Hz Single Phase
0.45Kw – 2.1Amp
Speed = 12 Rpm

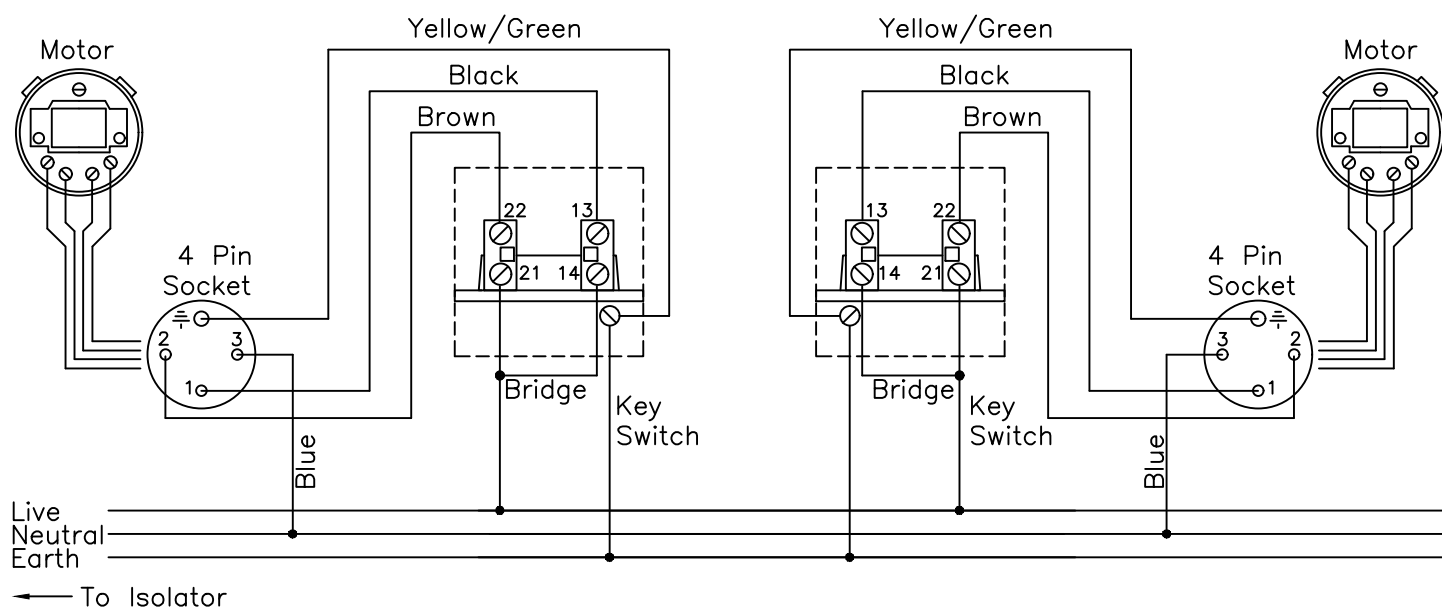
NOTES:-

The control switches and 4 pin sockets will be provided by Universal Services prior to the electrical installation. All connections must be made by the customers electrical contractor in strict accordance with the wiring diagram shown below. IT IS ESSENTIAL EACH MOTOR HAS IT'S OWN SET OF WIRES FROM THE SWITCHES. FAILURE TO COMPLY WILL DAMAGE THE MOTORS AND NULL THE WARRANTY.

The Motors will be provided and installed by Universal Services after completion of the electrical installation.

The installation should be carried out in accordance with current I.E.E. regulations.

The control switch must be located outside of the main hall but in such a position that it is within eyesight of the goals to oversee operation.



N.B This information sheet is for a Two Goal installation, see information sheet No. 1261 for a Single Goal installation

TITLE WIRING SPECIFICATION FOR ELECTRICALLY OPERATED BASKETBALL GOALS (Pair)

INFO SHEET No.

1271

DATE

4.12.23

ISSUE

G

DRAWN

KT

SCALE

N.T.S