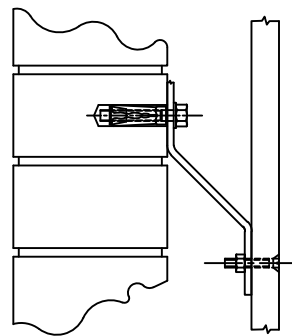


TYPE	Dim A	Dim B	Dim C	Weight
HALF SIZE	25	210	2800	34kg

ADD 320Kg LIVE LOAD AT CONNECTION  
POINTS BETWEEN RING AND BACKBOARD

GOALS ARE BLUE IN COLOUR (RAL5010) AS STANDARD



Enlarged detail showing  
fixing of bracket to wall,  
and to backboard.

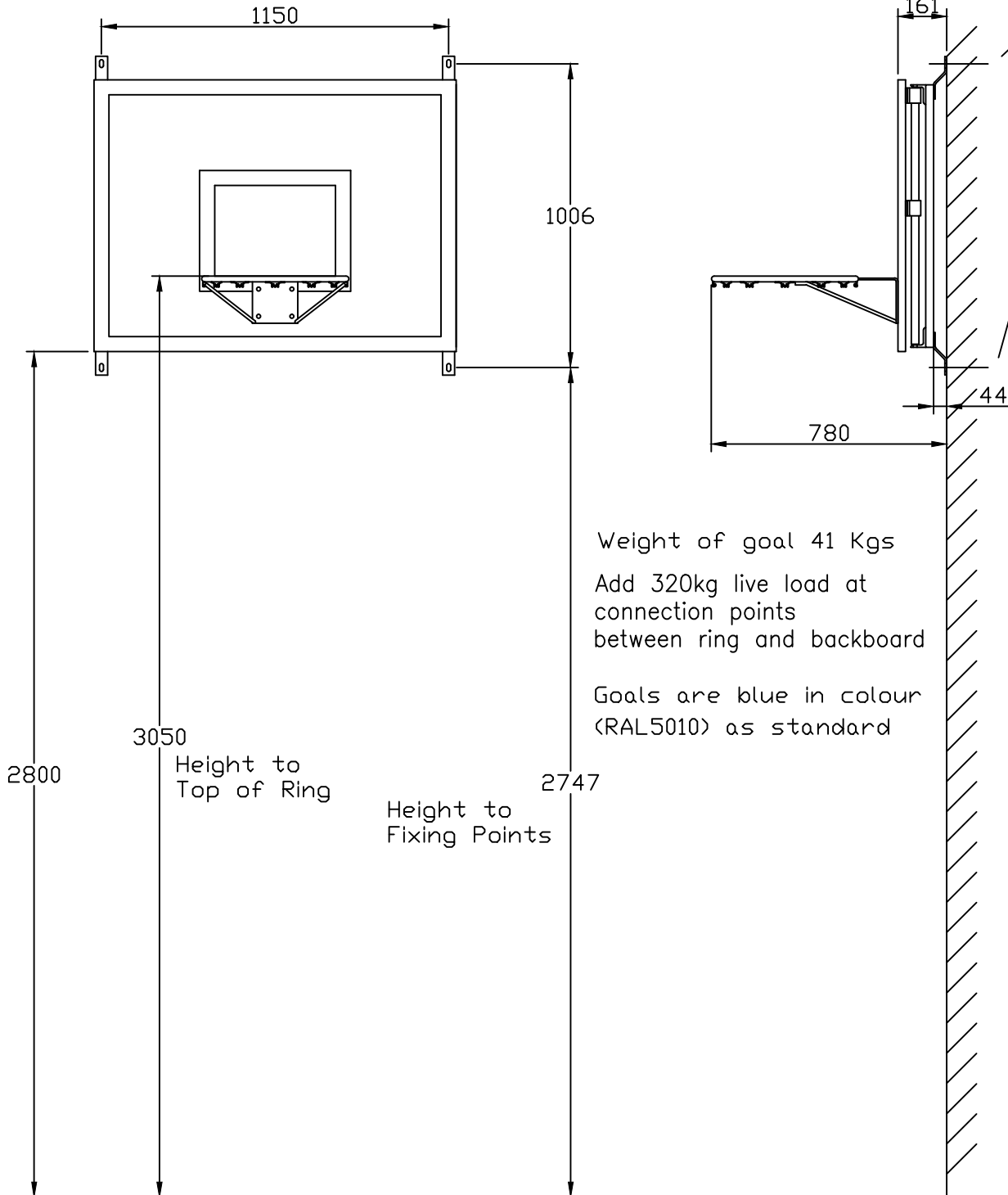
TITLE FLAT FIXED BASKETBALL GOAL  
1200 x 900mm BOARD ONLY

INFO SHEET No. 1121

DATE 24.04.2015 ISSUE A DRAWN PS SCALE N.T.S



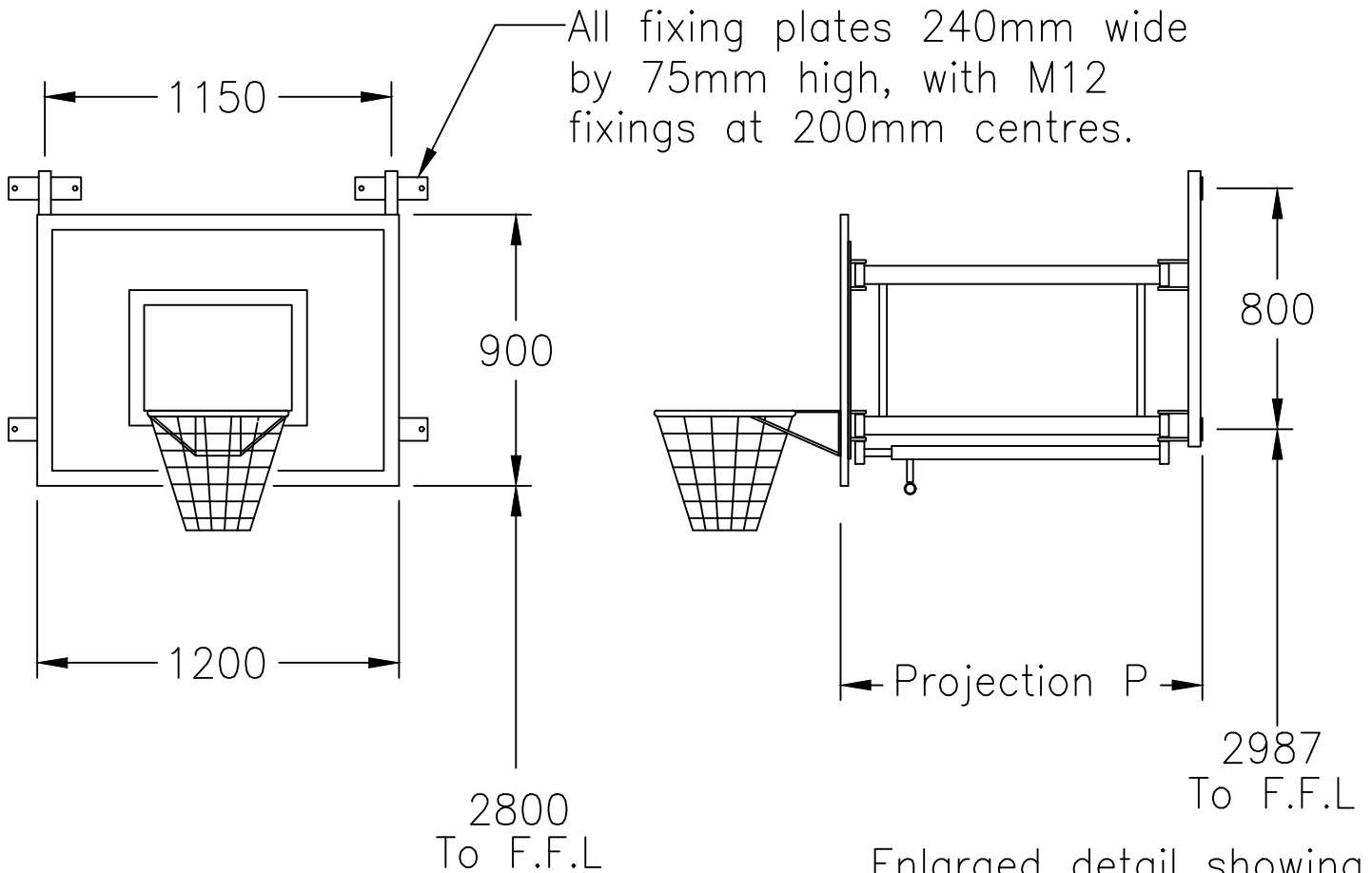
M12 Expandable Bolts or M12 Chemical Anchor



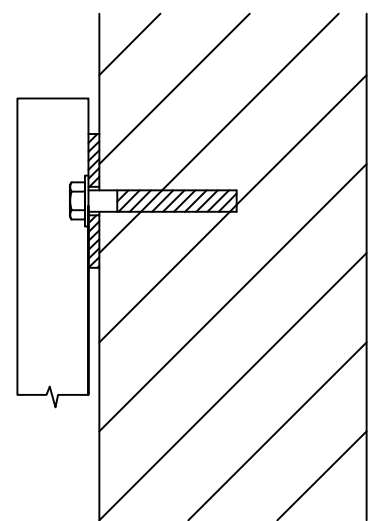
TITLE FLAT FIXED ADJUSTABLE HEIGHT BASKETBALL GOALS

INFO SHEET No. 1131

DATE 24.04.2015 ISSUE D DRAWN PS SCALE 1:20



Enlarged detail showing standard fixing into concrete or steel.



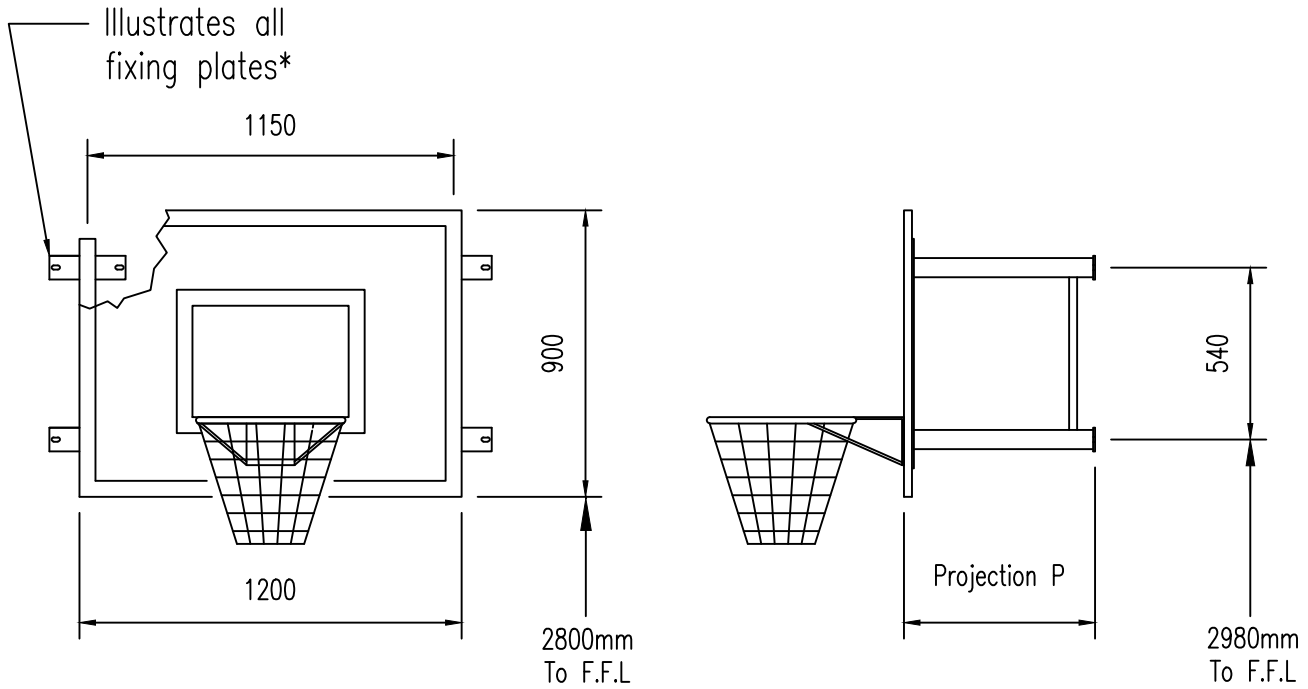
PROJ'N P	G Weight fixed height	G Weight adjustable height
750mm	63kg	75kg
1000mm	66kg	78kg
1250mm	69kg	81kg
1500mm	72kg	84kg

ADD 320KG LIVE LOAD AT CONNECTION POINTS BETWEEN RING AND BACKBOARD  
 GOALS ARE BLUE IN COLOUR (RAL5010) AS STANDARD

TITLE PRACTICE BASKETBALL GOAL  
 HINGED WALL MOUNTED

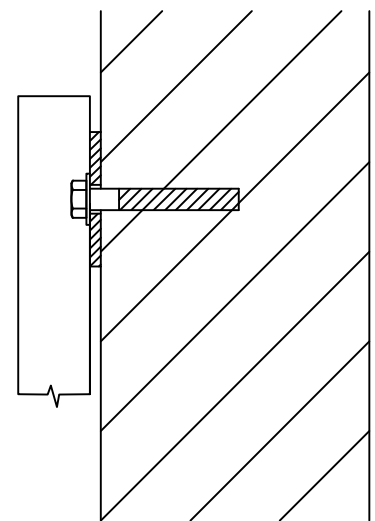
INFO SHEET No. 1161

DATE 1.7.22 ISSUE H DRAWN KT SCALE N.T.S.



\*All fixing plates 240mm by 75mm high, with M10 fixings at 200mm centres.

Enlarged detail showing standard fixing into concrete or steel.



PROJ'N P	G Weight fixed height	G Weight adjustable height
300mm	55kg	67kg
450mm	58kg	70kg
600mm	61kg	73kg
1250mm	69kg	81kg

ADD 320KG LIVE LOAD AT CONNECTION POINTS BETWEEN RING AND BACKBOARD GOALS ARE BLUE IN COLOUR (RAL5010) AS STANDARD

TITLE PRACTICE BASKETBALL GOAL  
FIXED PROJECTION

INFO SHEET No.

1171

DATE 1.7.22

ISSUE J

DRAWN KT

SCALE N.T.S.