

$$A = (1.155 \times (H - 3802)) + 233$$

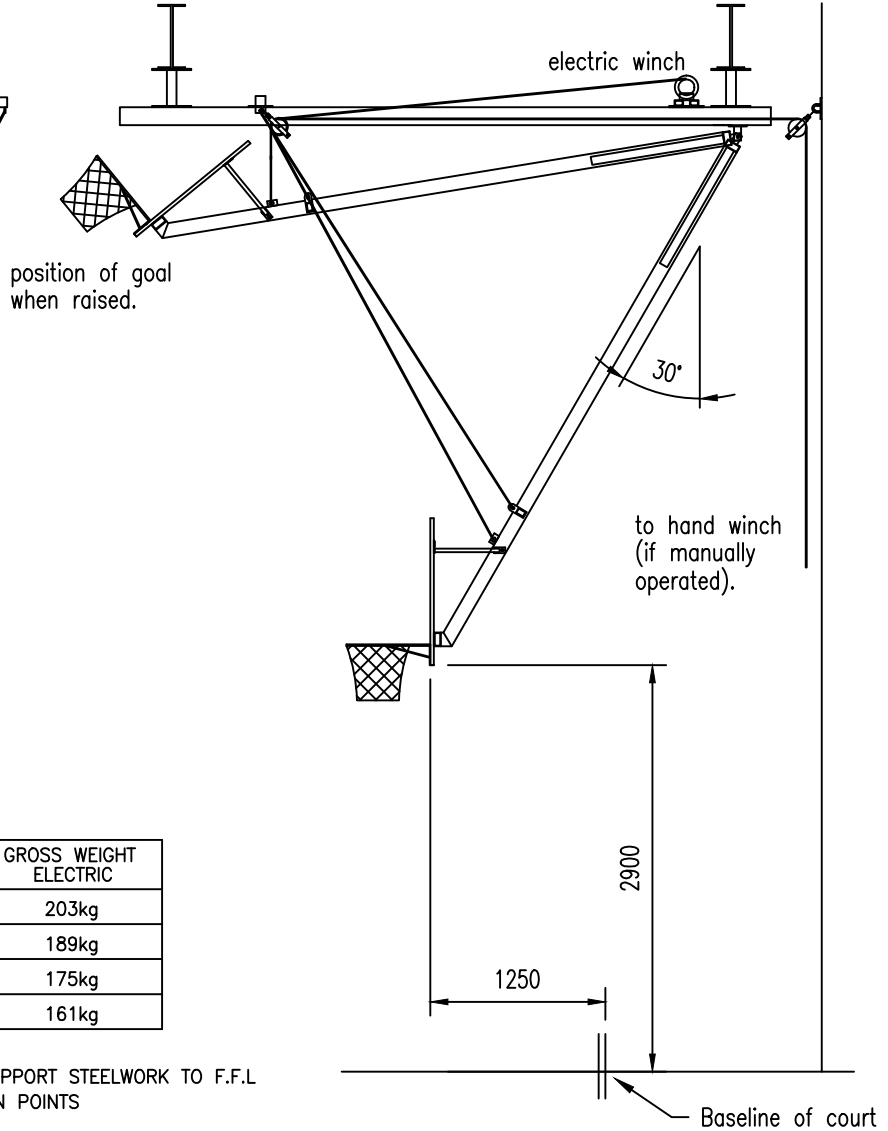
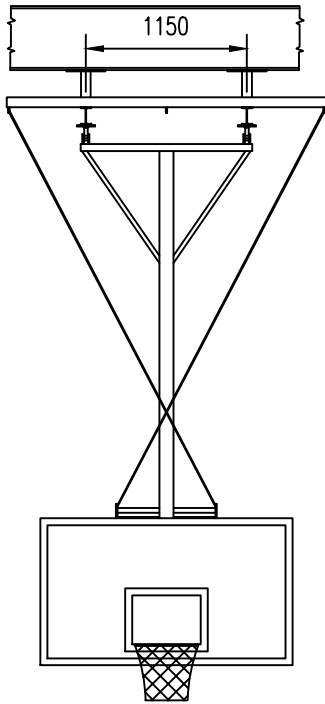
H = HEIGHT FROM F.F.L TO UNDERSIDE OF STEELWORK
 OVERALL LENGTH OF STEELS = A + WHATEVER NECESSARY
 TO CONNECT TO ROOF STRUCTURE

NB. THIS INFORMATION SHEET IS INTENDED AS A GUIDE ONLY
 UNIVERSAL SERVICES SHOULD BE CONSULTED TO APPROVE
 STEELWORK DRAWINGS PRIOR TO INSTALLATION
 SEE ALSO INFORMATION SHEETS No.1081 AND No.1031

TITLE GUIDE FOR SUPPORTING STEELWORK
 FOR 30° SINGLE STEM BASKETBALL GOAL

INFO SHEET No. 1071

DATE 23.04.2015 ISSUE B DRAWN PS SCALE N.T.S.



HEIGHT "H"	GROSS WEIGHT MANUAL	GROSS WEIGHT ELECTRIC
9m	168kg	203kg
8m	154kg	189kg
7m	140kg	175kg
6m	126kg	161kg

"H" = HEIGHT FROM UNDERSIDE OF SUPPORT STEELWORK TO F.F.L
 ADD 320kg LIVE LOAD AT CONNECTION POINTS
 BETWEEN RING AND BACKBOARD

Goals can be either electrically or manually operated, with the lifting cable following an appropriate route, as shown above.
 Frame, lifting steel and winch assembly are fixed to beams using 'lindapter' girder clamps.
 Supporting steels fixed to roof structure by most suitable method.
 Goals are blue in colour (RAL5010) as standard.

TITLE ROOF MOUNTED BASKETBALL GOAL
 30° SINGLE STEM MODEL
 (MANUAL OR ELECTRIC)

INFO SHEET No. 1031

DATE 23.04.2015 ISSUE D DRAWN PS SCALE N.T.S.

WIRING SPECIFICATION FOR ELECTRICALLY
OPERATED BASKETBALL GOAL (Single)

TO BE PROVIDED BY THE CUSTOMER OR HIS CONTRACTOR

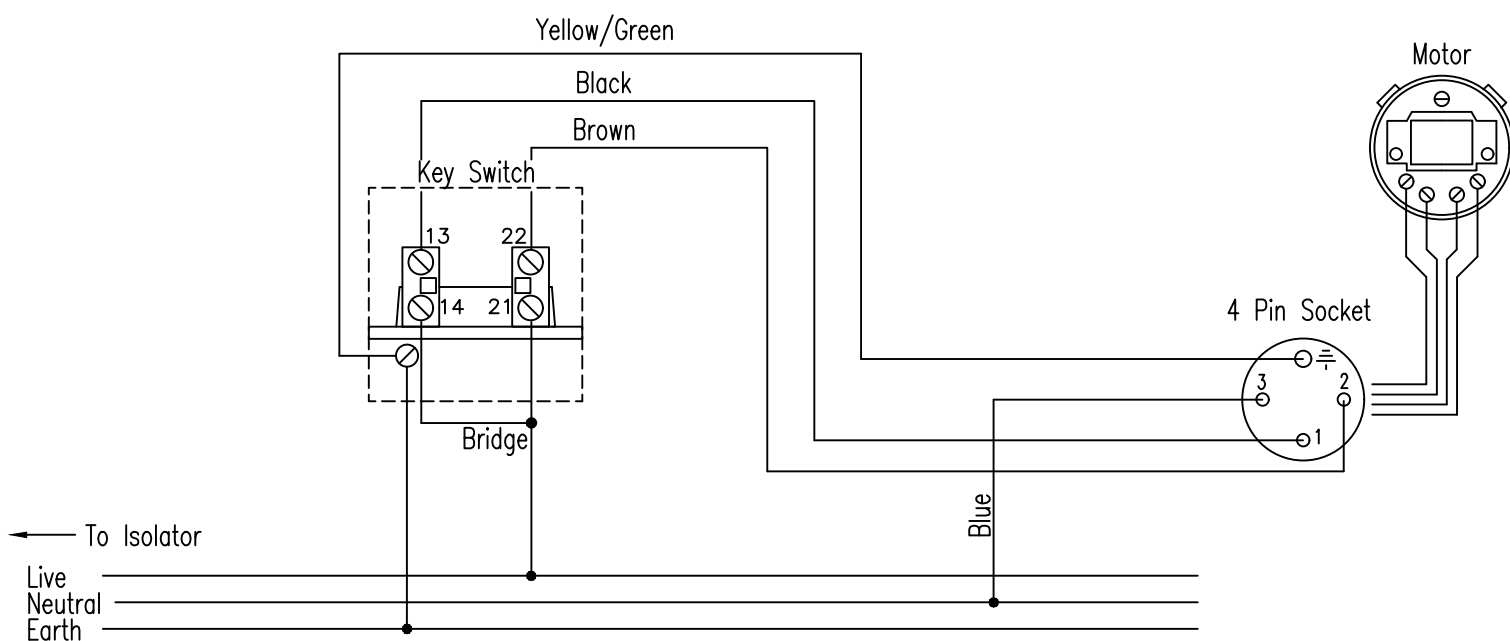
- A 230V power supply with a 5Amp fused isolating switch must be provided from the customers fuse board to a position adjacent to the control switch.
- A set of 4 wires (colour coded as per diagram) must be run in conduit from the isolator to the motor position via the control switch.
At the motor position the wires must terminate in the 4 pin socket sited within 1.0m of the motor position.
- Motor specification:- 230v 50Hz Single Phase
0.45Kw - 2.1Amp
Speed = 12 Rpm

NOTES

The control switch and four pin socket will be provided by Universal Services prior to the electrical installation. All connections must be made by the customers electrical contractor in strict accordance with the wiring diagram shown below. The Motor will be provided and installed by Universal Services after completion of the electrical installation.

The installation should be carried out in accordance with current I.E.E. regulations.

The control switch must be located outside of the main hall but in such a position that it is within eyesight of the goal to oversee operation.



N.B This information sheet is for One Single Goal, see information sheet No. 1271 for a Two Goal installation

TITLE WIRING SPECIFICATION FOR ELECTRICALLY OPERATED
BASKETBALL GOAL (Single)

INFO SHEET No.

1261

DATE

8.8.23

ISSUE

F

DRAWN

KT

SCALE

N.T.S

WIRING SPECIFICATION FOR ELECTRICALLY OPERATED BASKETBALL GOALS (Pair)
TO BE PROVIDED BY THE CUSTOMER OR HIS CONTRACTOR

- A 230V power supply with a 5Amp fused isolating switch must be provided from the customers fuse board to a position adjacent to the control switches.
- A set of 4 wires (colour coded as per diagram) must be run in conduit from the isolator to each motor position via the control switch. At the motor positions the wires must terminate in the 4 pin socket sited within 1.0m of the motor positions.
- Motor specification:- 230v 50Hz Single Phase
0.45Kw – 2.1Amp
Speed = 12 Rpm

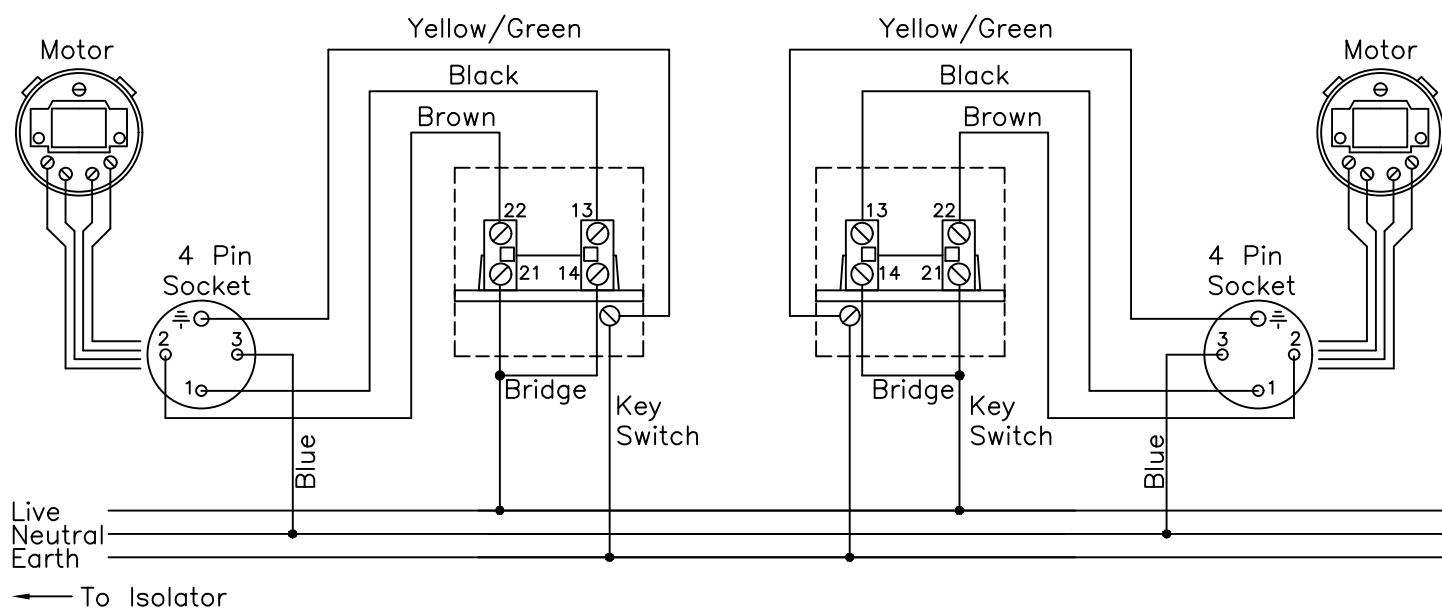
NOTES:-

The control switches and 4 pin sockets will be provided by Universal Services prior to the electrical installation. All connections must be made by the customers electrical contractor in strict accordance with the wiring diagram shown below. IT IS ESSENTIAL EACH MOTOR HAS IT'S OWN SET OF WIRES FROM THE SWITCHES. FAILURE TO COMPLY WILL DAMAGE THE MOTORS AND NULL THE WARRANTY.

The Motors will be provided and installed by Universal Services after completion of the electrical installation.

The installation should be carried out in accordance with current I.E.E. regulations.

The control switch must be located outside of the main hall but in such a position that it is within eyesight of the goals to oversee operation.



N.B This information sheet is for a Two Goal installation, see information sheet No. 1261 for a Single Goal installation

TITLE WIRING SPECIFICATION FOR ELECTRICALLY OPERATED BASKETBALL GOALS (Pair)

INFO SHEET No.

1271

DATE

4.12.23

ISSUE

G

DRAWN

KT

SCALE

N.T.S