

GOAL ANCHORAGE INSTALLATION AND ASSEMBLY

1. Fit floor plate flush with floor ensuring that no part of the plate is above floor level and could cause harm.
2. Using the assembly shown loop strap round goal side frame and fix to floor.

Note: Anchor plates can also be fitted to the wall above skirting

TITLE FIVE-A-SIDE AND HOCKEY GOAL ANCHORS

INFO SHEET No.

20

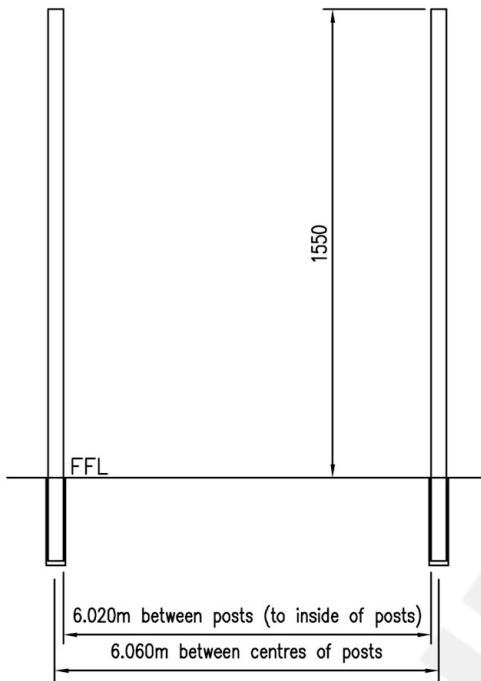
DATE 26/10/05

ISSUE B

DRAWN R.R

SCALE N.T.S

The international badminton posts are supplied with heavy duty floor sockets. These must be professionally installed. The hole drilled for the socket needs to be 49 to 50mm in diameter and 290mm in depth, to secure the socket an epoxy masonry adhesive must be used. The concrete base must allow for drilling depth of 290mm. The socket should be installed central to the line so that the side of the post is at the outside of the line, As shown below.



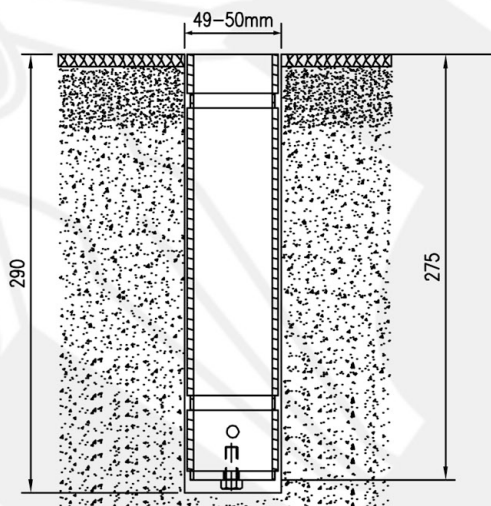
Outline of socket as indicated with dotted line. COURT AREA Outline of post as indicated by solid line



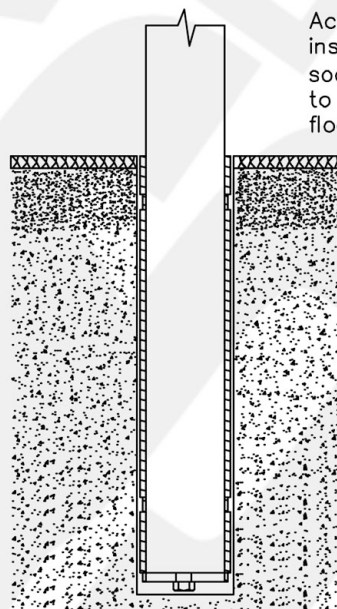
NOTE: Standard floors are generally not of sufficient depth. Provision should be made to thicken the slab in the area of the socket.

NOTE: Pipe work and under floor heating must be taken into consideration when positioning the sockets.

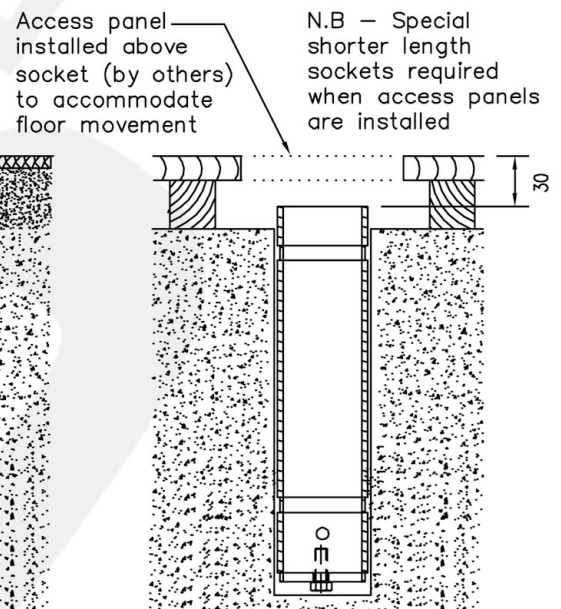
Damp course membranes should not be pierced, Adequate depth should be taken into consideration.



Standard Floor Socket



Standard Floor Socket with Post



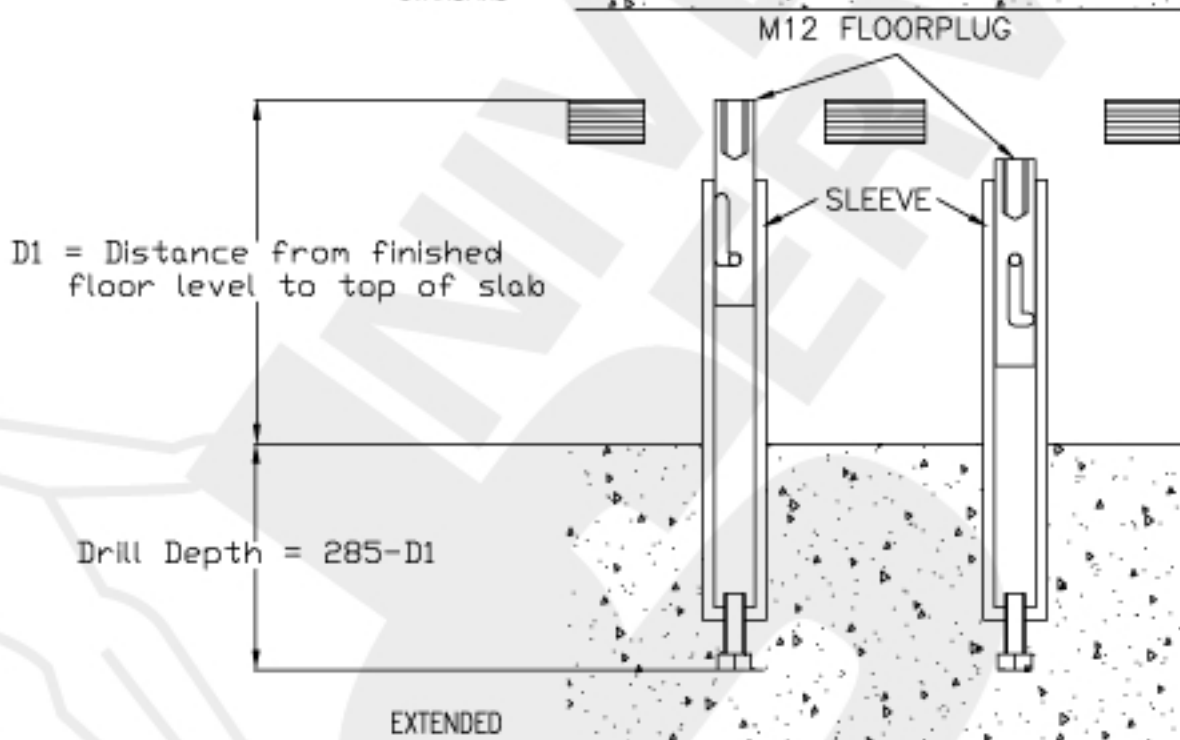
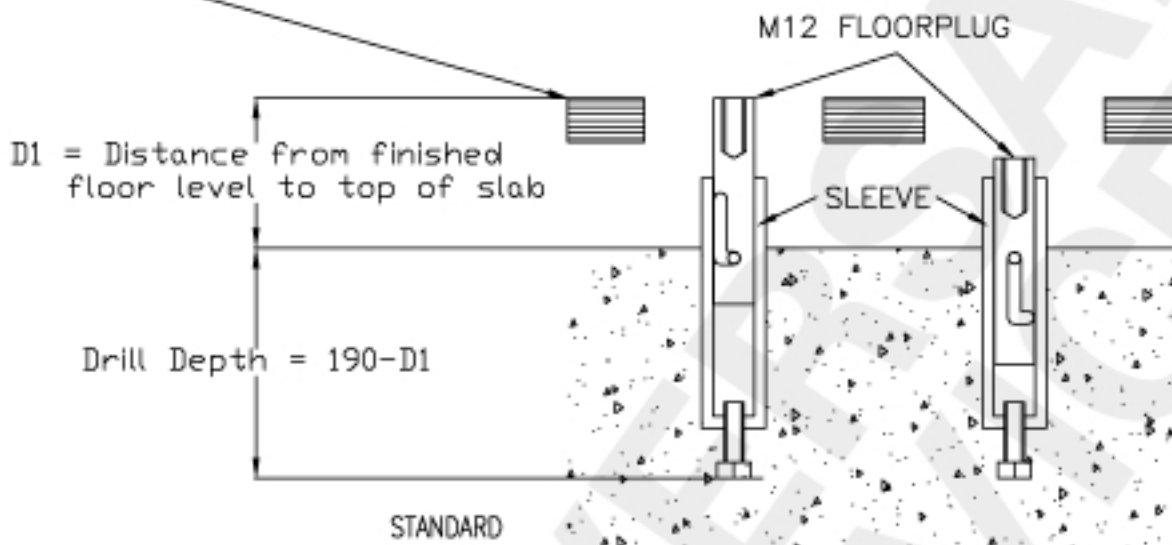
Floor socket fitted into semi sprung floor

TITLE
SOCKETED INTERNATIONAL BADMINTON POSTS

INFO SHEET No.
24

DATE 23/6/09 ISSUE C DRAWN KT SCALE N.T.S

Example of 22mm floor with access panels installed



DRILL 35mm DIAMETER HOLE DEPTH AS ABOVE MILD STEEL SLEEVE
 32mm DIAMETER
 STAINLESS STEEL FLOORPLUG 20mm DIAMETER THREADED TO SUIT M12
 FASTENINGS
 SOCKETS ARE SECURED USING AN EPOXY RESIN MASONRY ADHESIVE
 SCREW PROVIDES FINE ADJUSTMENT UNTIL THE ADHESIVE HAS CURED

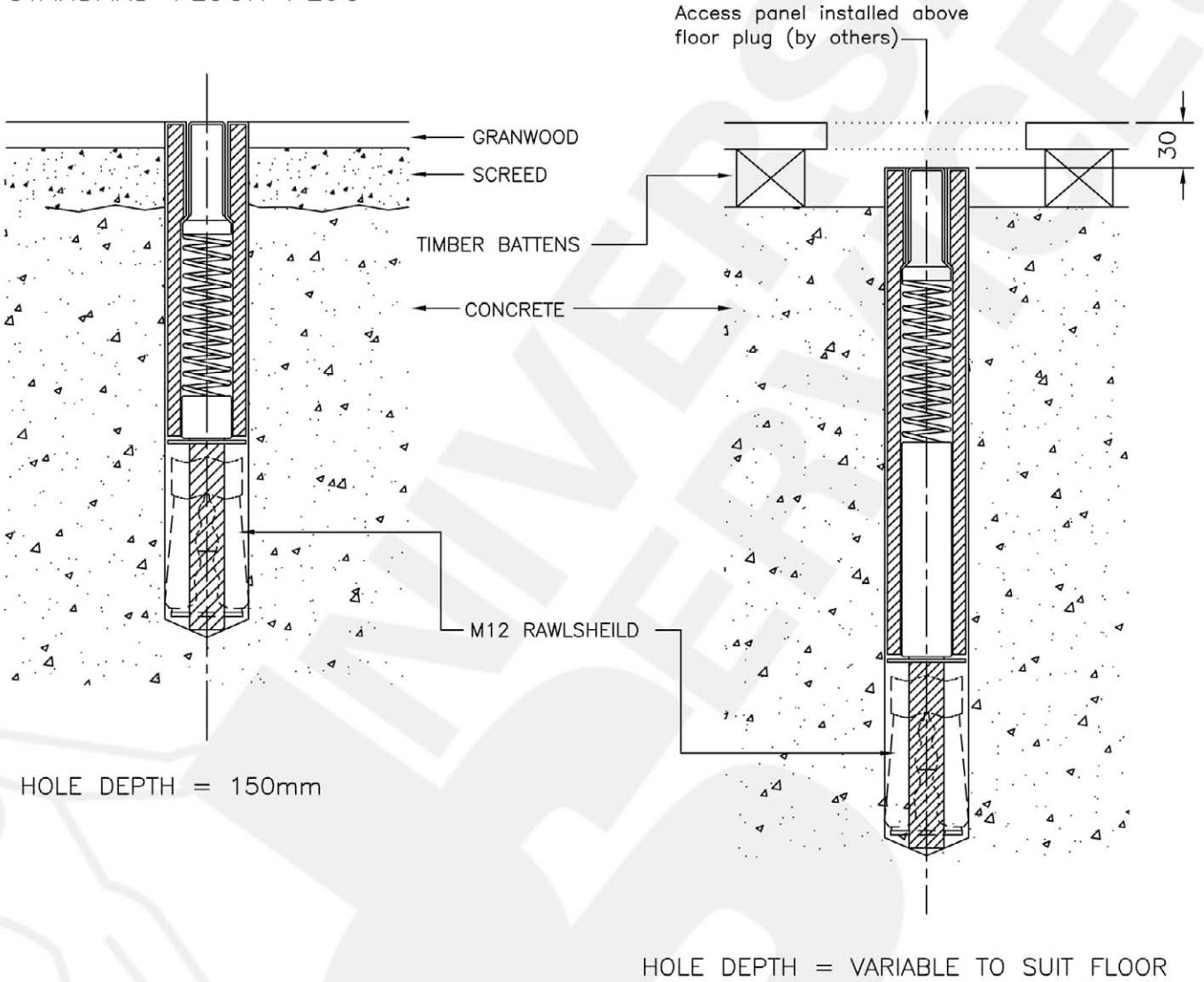
TITLE ACCESS PANEL FLOOR PLUGS

INFO SHEET No. 25

DATE 13/12/07 ISSUE A DRAWN RR SCALE N.T.S

SEMISPRUNG FLOOR PLUG

STANDARD FLOOR PLUG



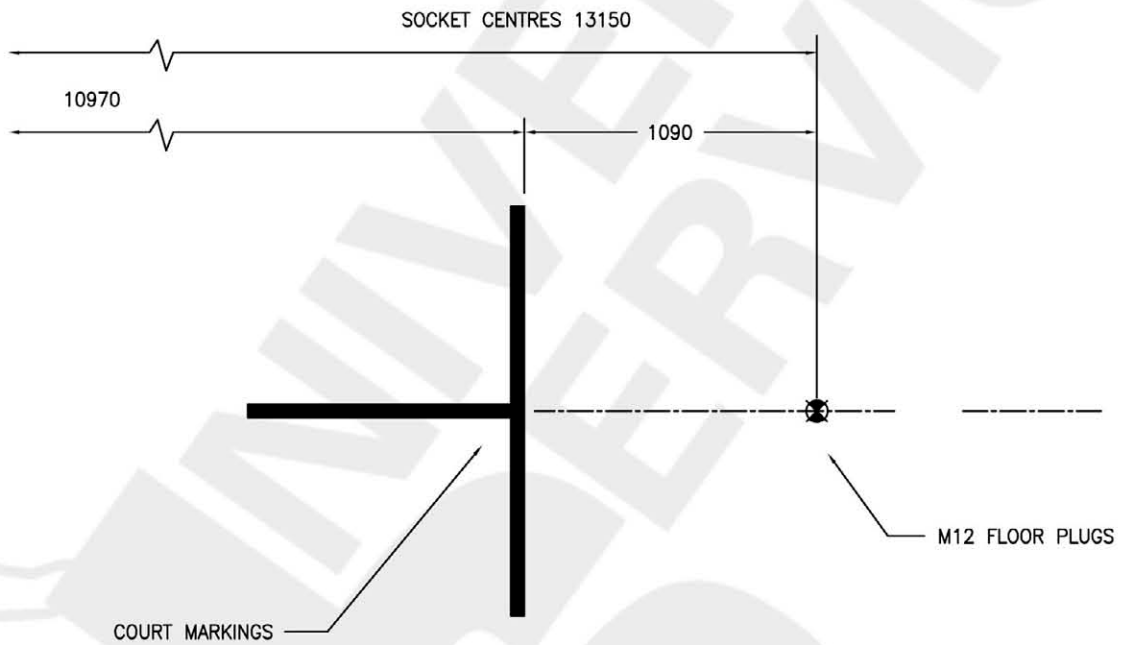
FLOOR PLUG DIAMETER = 20mm
 THREADED EITHER M12 OR 1/2" BSW
 MATERIAL:- STAINLESS STEEL

TITLE
SPORTS HALL FLOOR PLUGS

INFO SHEET No. 26

DATE 24/6/09 ISSUE C DRAWN ST.R SCALE N.T.S

TENNIS



TITLE FLOOR PLUG SETTING OUT
TENNIS

INFO SHEET No. 27

DATE 26/08/10

ISSUE C

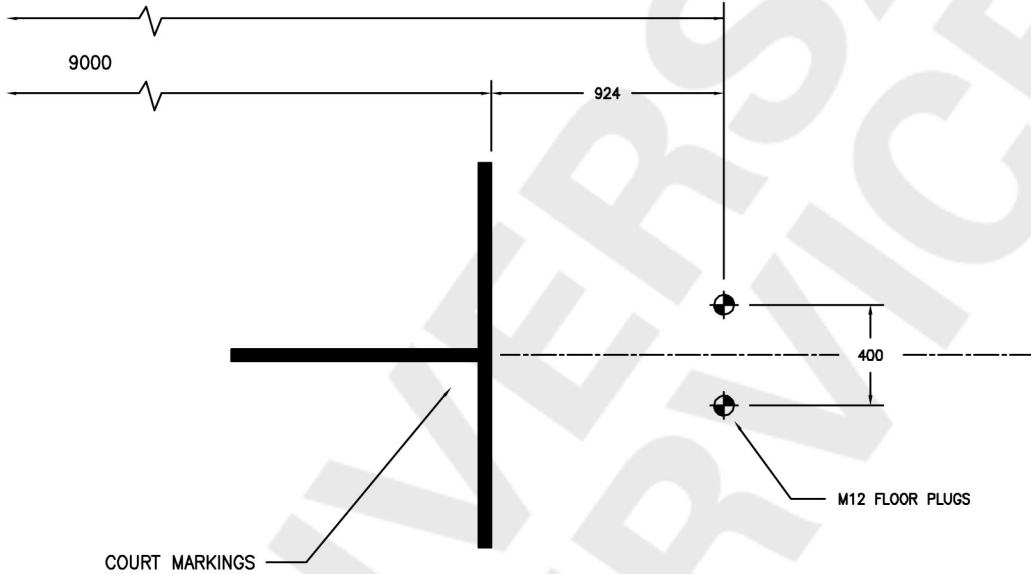
DRAWN PS

SCALE N.T.S.



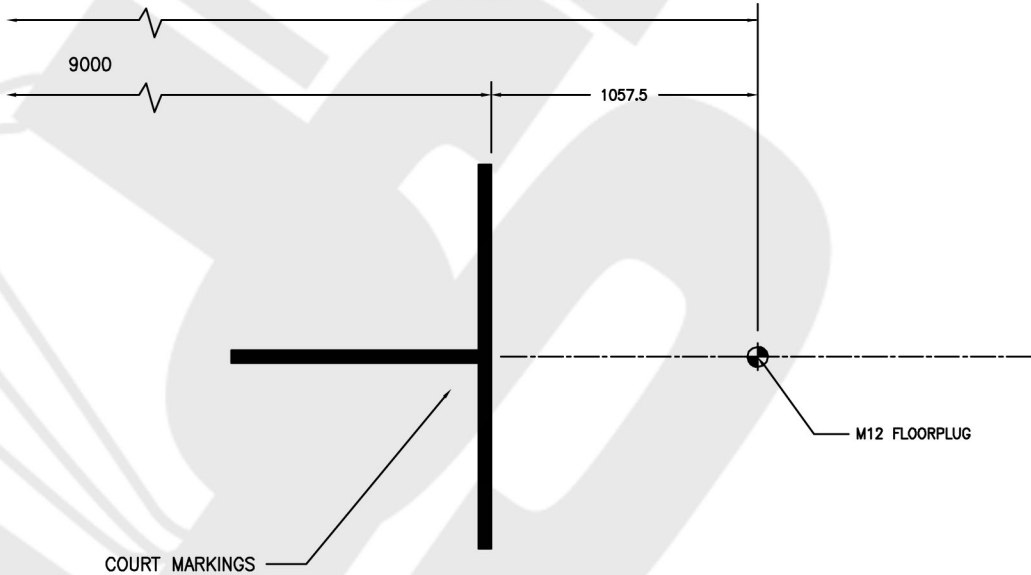
NATIONAL VOLLEYBALL POSTS

SOCKET CENTRES 10848



CLUB VOLLEYBALL POSTS

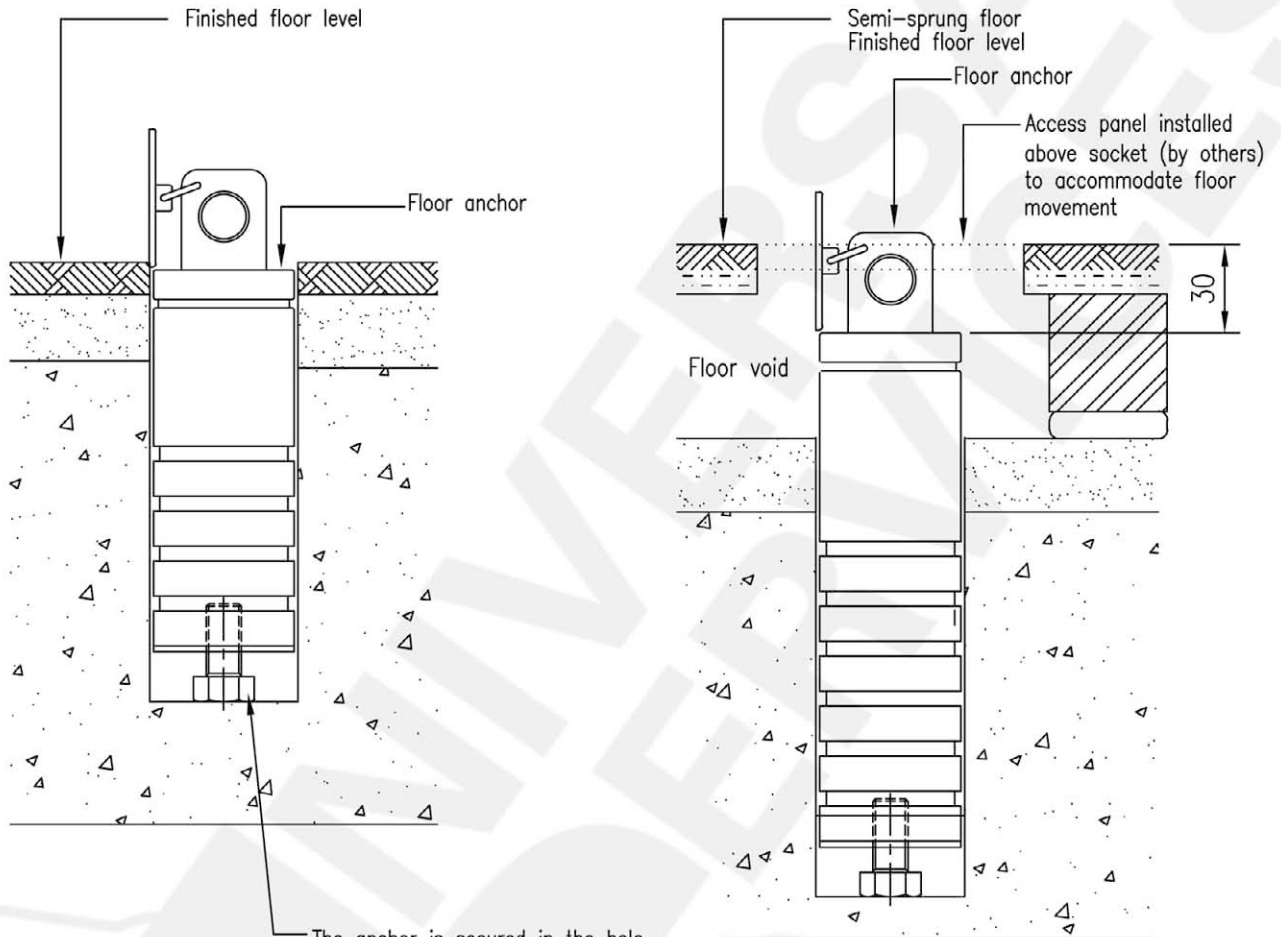
SOCKET CENTRES 11115



TITLE FLOOR PLUG SETTING OUT VOLLEYBALL

INFO SHEET No. 28

DATE 23.6.09 ISSUE C DRAWN ST.R SCALE N.T.S.



The anchor is secured in the hole using an epoxy masonry adhesive, the M12 screw provides fine adjustment to the level of the anchor until the adhesive has cured.

Solid floor

floor anchor diameter = 48mm
 material : stainless steel
 hole depth = 140mm (min)

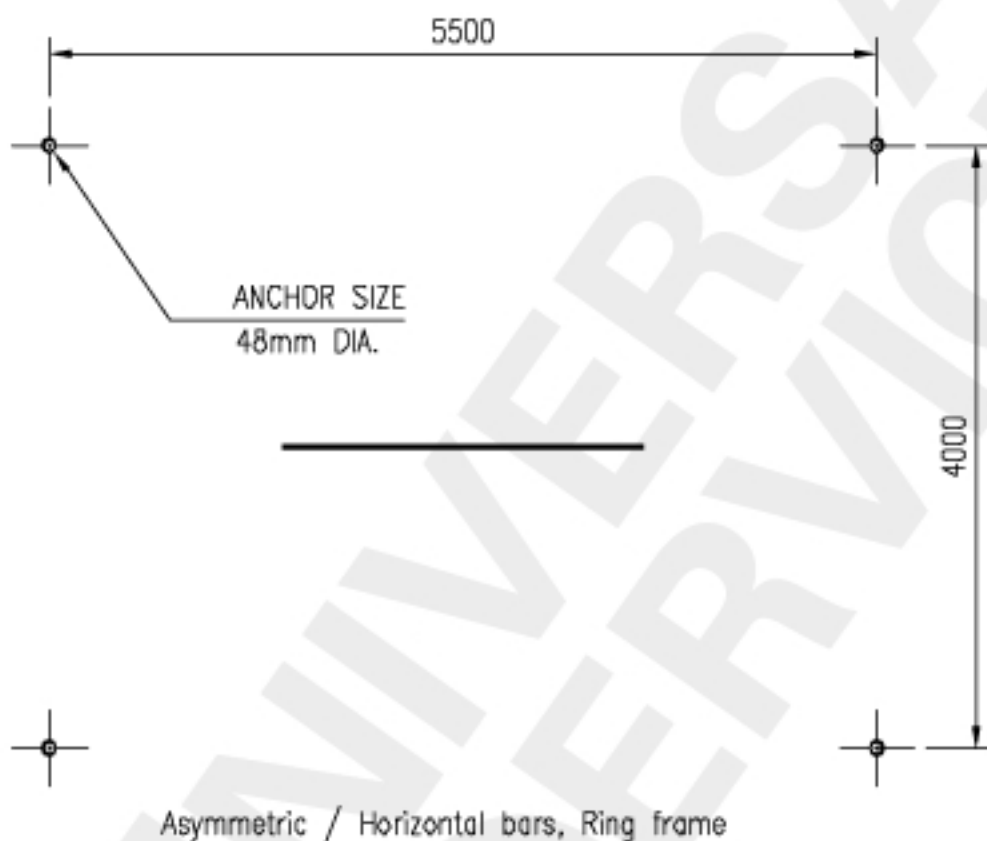
Sprung floor

floor anchor diameter = 48mm
 material : stainless steel
 hole depth = 185mm (max)
 hole depth in concrete is variable according to floor void

TITLE GYMNASTIC FLIP-UP ANCHOR

INFO SHEET No. 29

DATE 24.6.09 ISSUE C DRAWN A.K.N. SCALE N.T.S



Vault / pommel horse

TITLE SETTING OUT DETAIL FOR
GYMNASTIC FLIP-UP ANCHOR

INFO SHEET No. 30

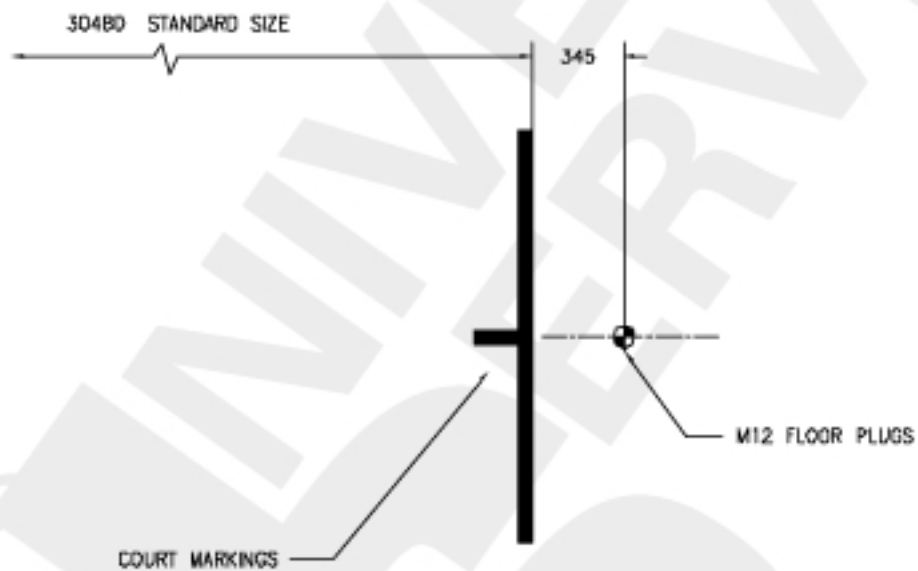
DATE 6/1/96

ISSUE B

DRAWN A.K.N.

SCALE N.T.S

NETBALL



TITLE FLOOR PLUG SETTING OUT
NETBALL (for shorter base netball)

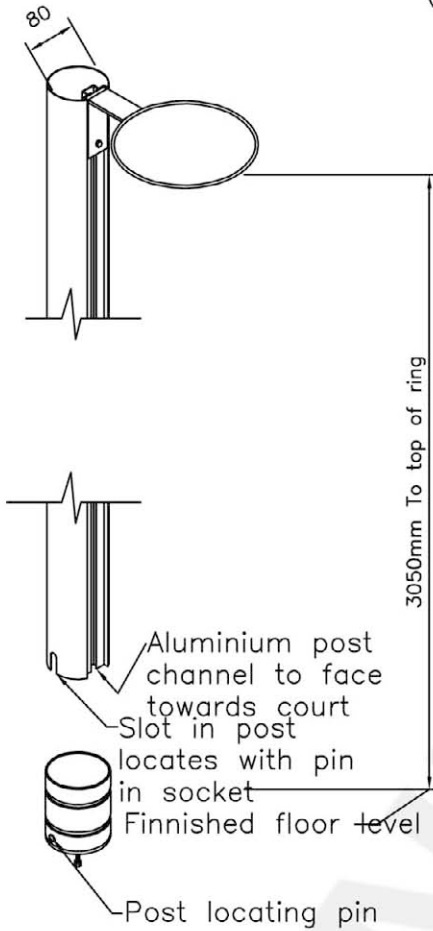
INFO SHEET No. 31

DATE 25/04/01

ISSUE A

DRAWN O.R

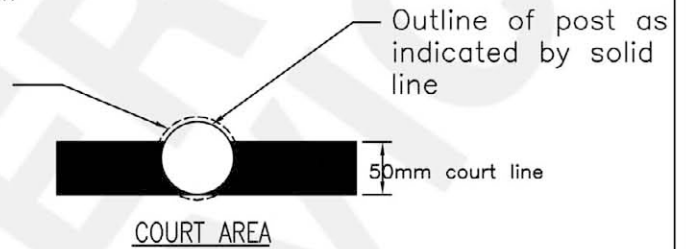
SCALE N.T.S.



The international netball posts are supplied with heavy duty floor sockets and blanking caps, These must be professionally installed. The hole drilled for the socket needs to be 95mm in diameter and 310mm in depth, to secure the socket an epoxy masonry adhesive must be used. The concrete base must allow for drilling depth of 310mm.

The socket should be installed over the goal line so that the back of the post is at the outside of the line, As shown below.

Outline of socket as indicated with dotted line.

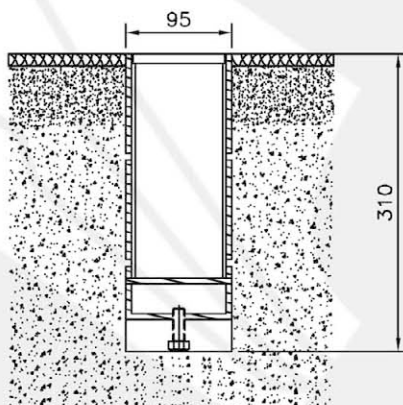


NOTE: Standard floors are generally not of sufficient depth there for provision should be made to thicken the slab in the area of the socket.

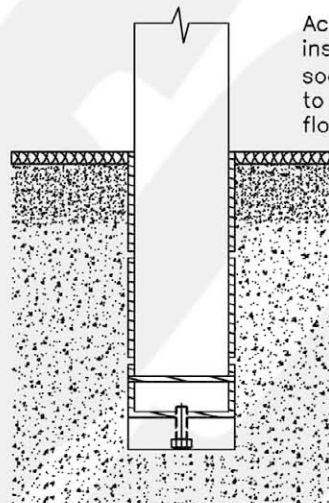
NOTE:

Pipe work and under floor heating must be taken into consideration when positioning the sockets.

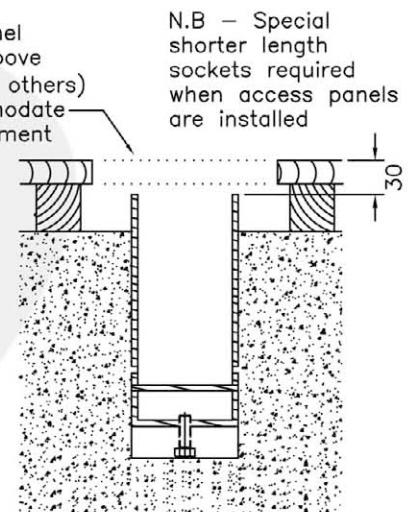
Damp course membranes should not be pierced, Adequate depth should be taken into consideration.



Standard Floor Socket with Capping Plate



Standard Floor Socket with Post



Floor socket fitted into semi sprung floor

TITLE
SOCKETED INTERNATIONAL NETBALL POSTS

INFO SHEET No. 32

DATE 24.6.09

ISSUE D

DRAWN RR

SCALE N.T.S