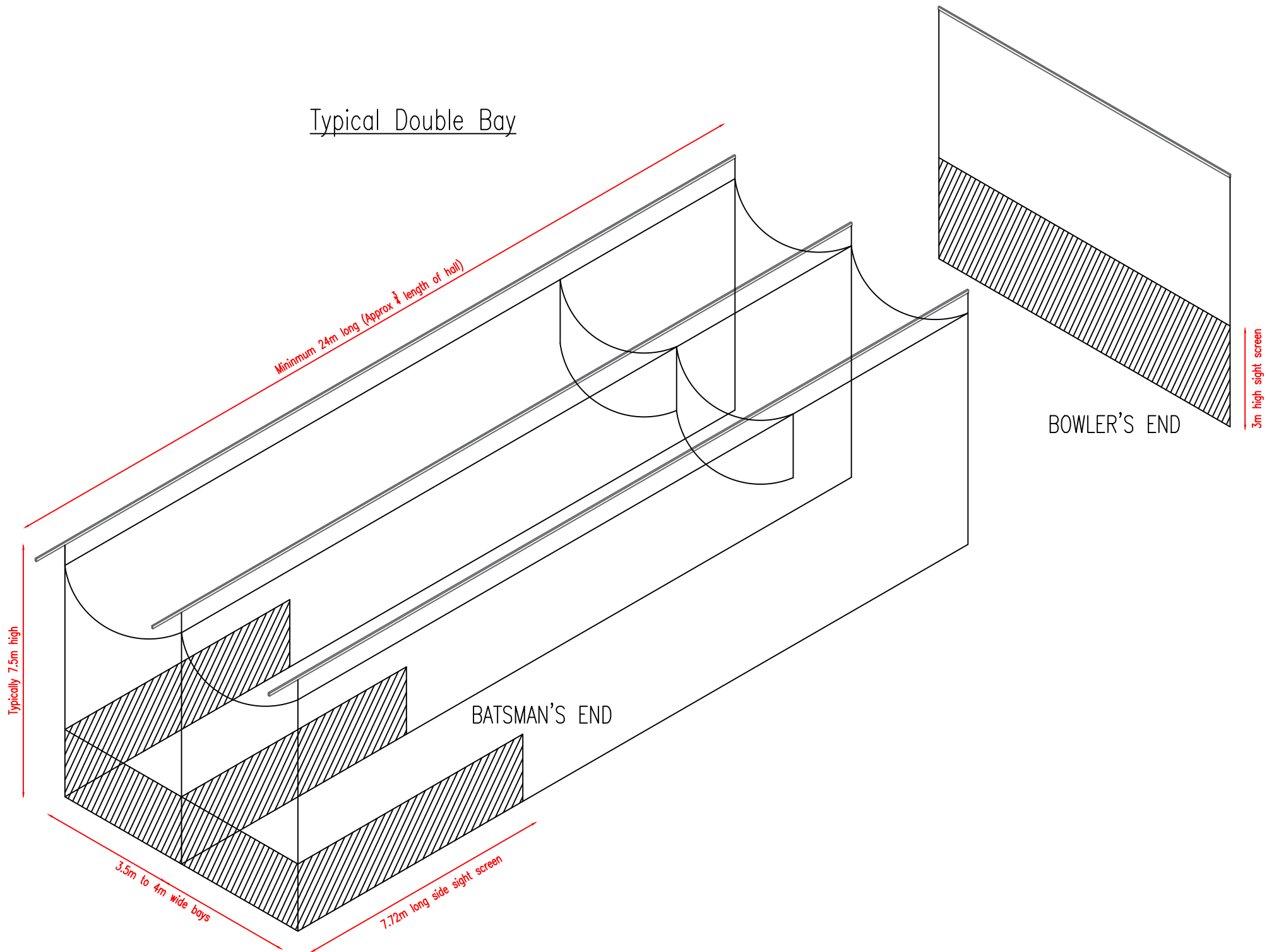


# Typical Double Bay



Minimum 24m long (Approx 1/3 length of hall)

Typically 7.5m high

3.5m to 4m wide bays

7.72m long side sight screen

BATSMAN'S END

Bowler's END

3m high sight screen