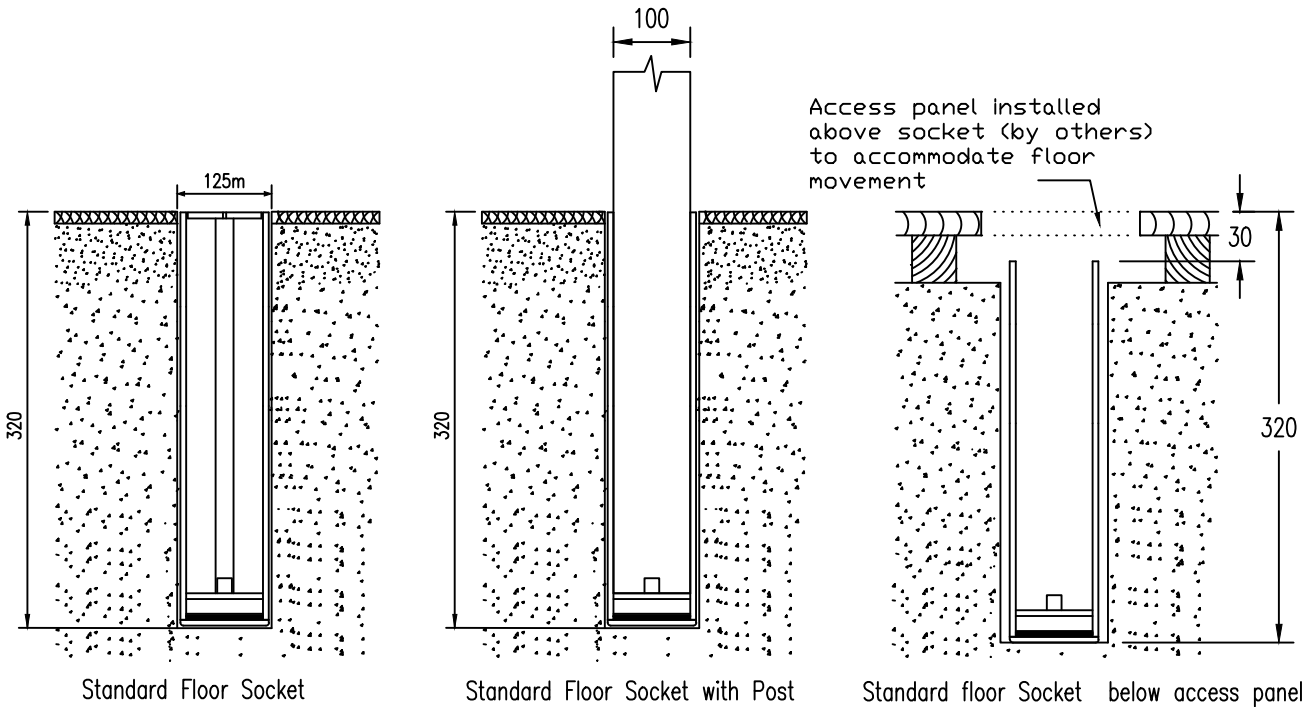


The socketed international volleyball posts are supplied with heavy duty floor sockets. These must be professionally installed. Each socket requires a pre cast hole 125mm in diameter and 320mm in depth, to secure the socket an epoxy masonry adhesive must be used.

NOTE: Standard concrete floors are generally not of sufficient depth. Provision should be made to thicken the slab in the area of the socket.

NOTE:
Pipe work and under floor heating must be taken into consideration when positioning the sockets.

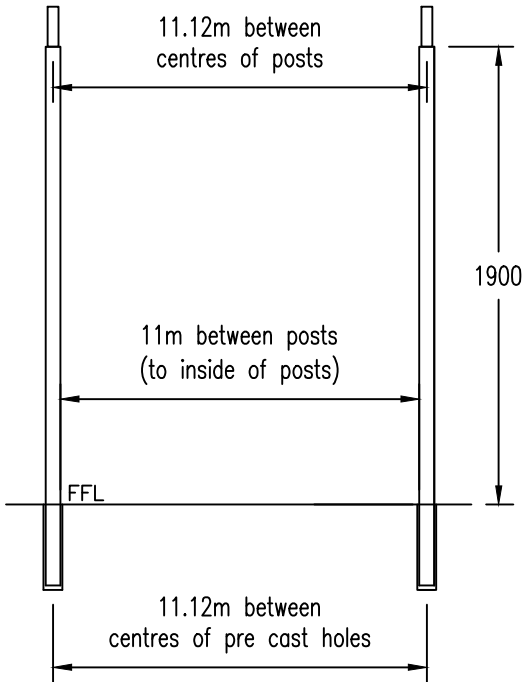
Damp course membranes should not be pierced, Adequate depth should be taken into consideration.



TITLE FULLY SOCKETED INTERNATIONAL VOLLEYBALL
POSTS VBL/002/INT

INFO SHEET No. 3351

DATE 17.06.2015 ISSUE C DRAWN PS SCALE N.T.S



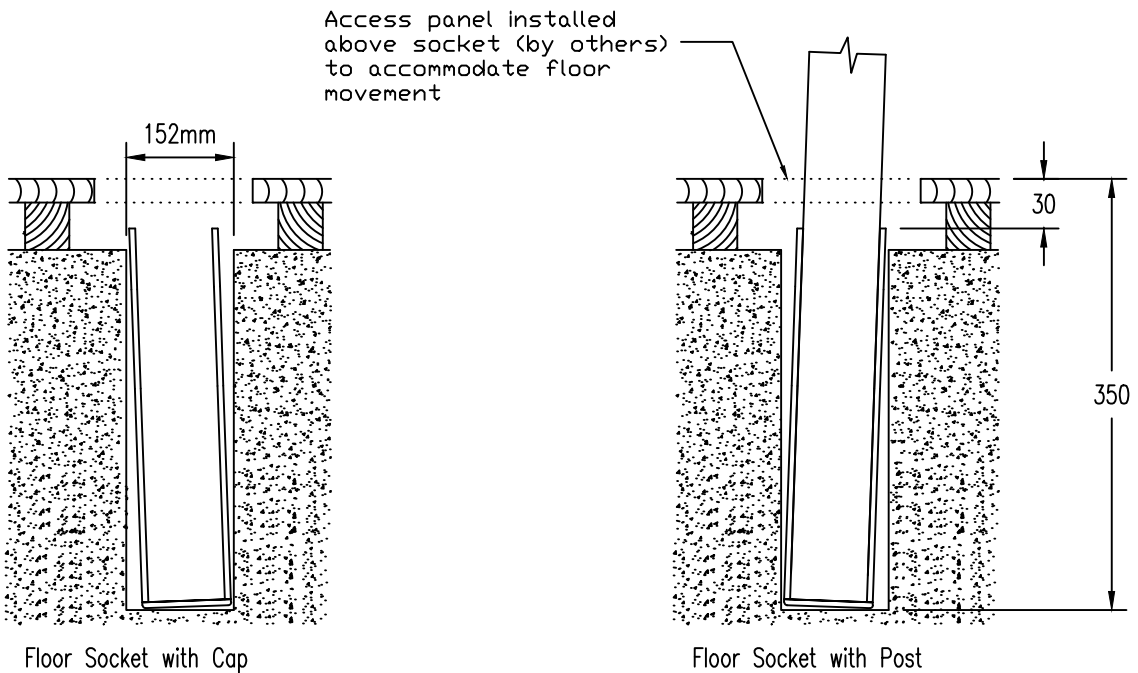
The telescopic socketed volleyball posts are supplied with heavy duty floor sockets. These must be professionally installed. Each socket requires a pre cast hole 152mm in diameter and 350mm in depth, to secure the socket an epoxy masonry adhesive must be used.

Socket's to be fitted at a 2 degree angle out from the court, which will allow posts to be vertical under tension.

NOTE: Standard concrete floors are generally not of sufficient depth. Provision should be made to thicken the slab in the area of the socket.

NOTE:
Pipe work and under floor heating must be taken into consideration when positioning the sockets.

Damp course membranes should not be pierced, Adequate depth should be taken into consideration.



TITLE TELESCOPIC SOCKETED VOLLEYBALL POSTS – TIMBER
FLOORS WITH BUSHINGS/ACCESS COVERS (VBL/004/INT)

INFO SHEET No. 3352

DATE 28.04.2015 ISSUE A DRAWN PS SCALE N.T.S