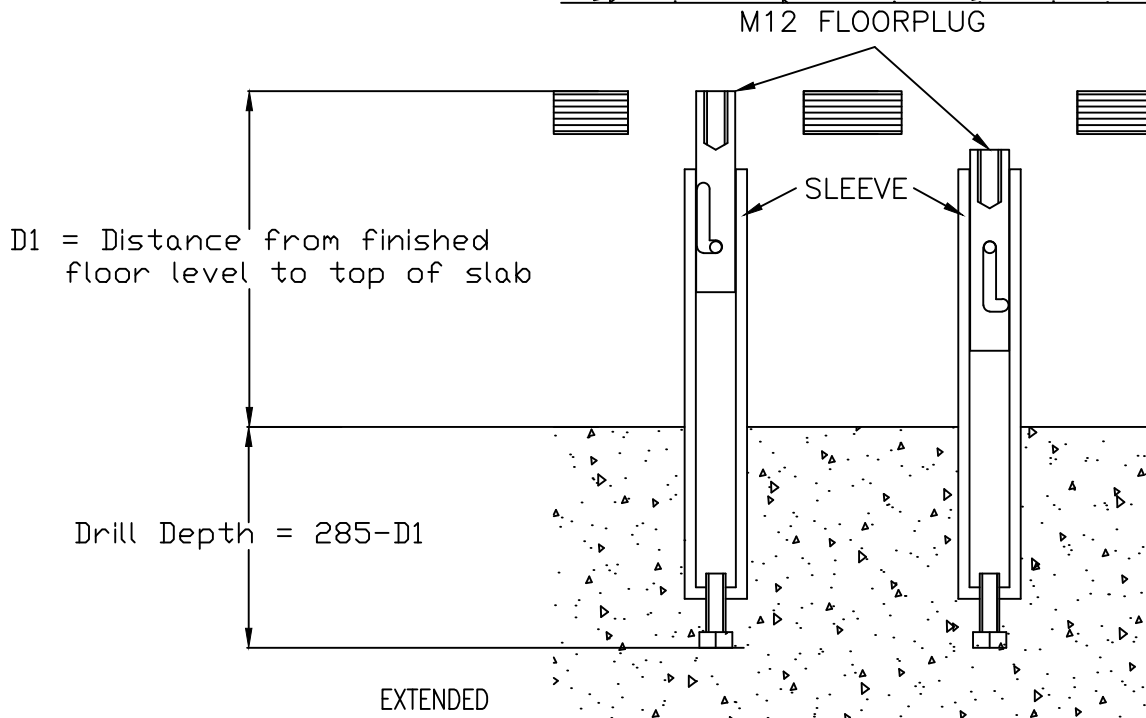
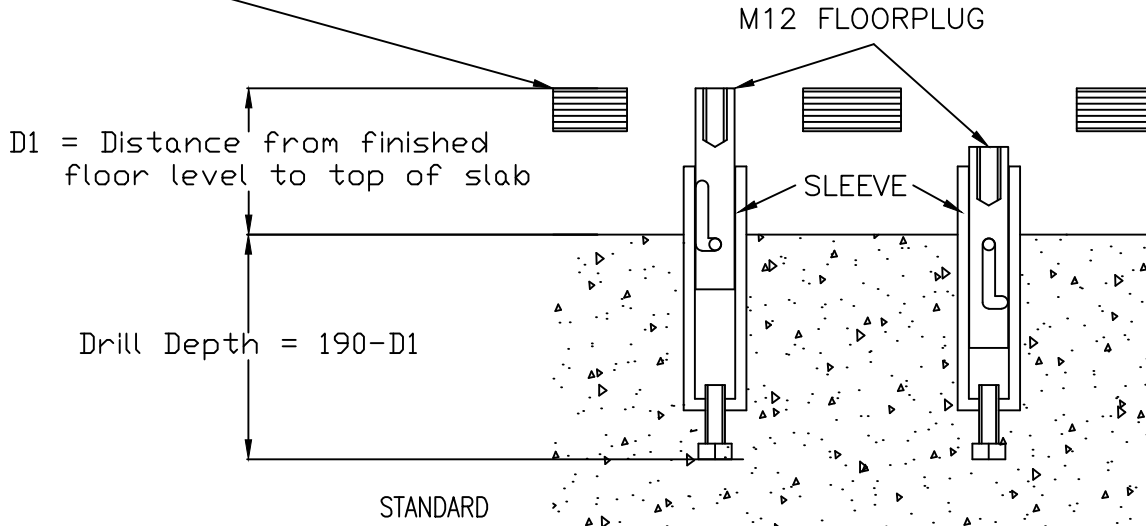


Example of 22mm floor with access panels installed



DRILL 35mm DIAMETER HOLE DEPTH AS ABOVE MILD STEEL SLEEVE  
 32mm DIAMETER  
 STAINLESS STEEL FLOORPLUG 20mm DIAMETER THREADED TO SUIT M12  
 FASTENINGS  
 SOCKETS ARE SECURED USING AN EPOXY RESIN MASONRY ADHESIVE  
 SCREW PROVIDES FINE ADJUSTMENT UNTIL THE ADHESIVE HAS CURED

TITLE  
 ACCESS PANEL FLOOR PLUGS

INFO SHEET No. 3251

DATE 27.04.2015 ISSUE B DRAWN PS SCALE N.T.S