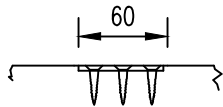
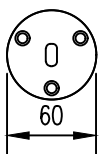


NOTES

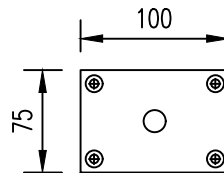
- 1, ALL DIMENSIONS TO BE RELATIVE TO PLATE 'C'. DIMENSION FROM WALL TO PLATES 'C' MAY VARY DUE TO OBSTRUCTIONS TO FRAMES (IE RADIATORS).
- 2, PLATES 'C' ARE TO BE SURFACE MOUNTED, WHERE PLATES 'A' ARE INLAID.
- 3, A 300mmx300mm PAD TO BE LEFT CLEAR OF PIPES, BASED CENTRAL AROUND FLOOR PLATE TYPES 'A', 'C'

FLOOR PLATE TYPE 'A'



WOOD SCREWS 32mm - 50mm DEEP
DEPENDING ON FLOOR TYPE.

FLOOR PLATE TYPE 'C'

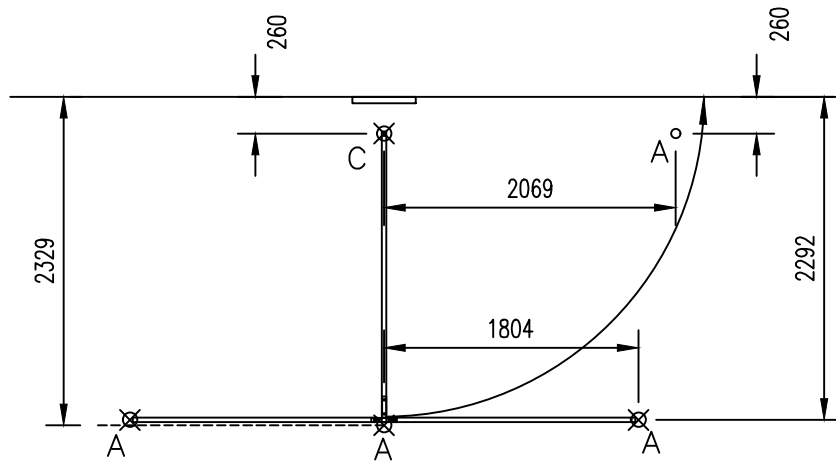


WOOD SCREWS 50mm DEEP

TITLE CURVED TRIO FRAME STANDARD FLOOR PLATE
LAYOUT - FOLDING LEFT

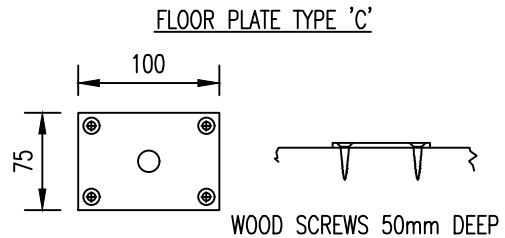
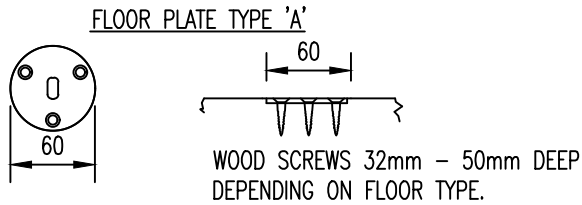
INFO SHEET No. 6513

DATE 25.01.19 ISSUE C DRAWN PS SCALE N.T.S



NOTES

- 1, ALL DIMENSIONS TO BE RELATIVE TO PLATE 'C'. DIMENSION FROM WALL TO PLATES 'C' MAY VARY DUE TO OBSTRUCTIONS TO FRAMES (IE RADIATORS).
- 2, PLATES 'C' ARE TO BE SURFACE MOUNTED, WHERE PLATES 'A' ARE INLAID.
- 3, A 300mmx300mm PAD TO BE LEFT CLEAR OF PIPES, BASED CENTRAL AROUND FLOOR PLATE TYPES 'A', 'C'



TITLE CURVED TRIO FRAME STANDARD FLOOR PLATE
LAYOUT - FOLDING RIGHT

INFO SHEET No. 6523

DATE 25.01.2018

ISSUE C

DRAWN PS

SCALE N.T.S